

Please call if you are missing any parts, have difficulty in assembly, or have any questions regarding the safe operation of this product. **SUPPORT HOT LINE:** 574-848-7491 or 800-294-0671

Appelez SVP si vous manquez n'importe quelles pièces, ont la difficulté dedans l'assemblée, ou ont toutes les questions concernant l'exploitation sûre de ce produit. **LIGNE DIRECTE DE SOUTIEN:** 574-848-7491 ou 800-294-0671

Llame por favor si usted está faltando cualesquiera piezas, tienen dificultad adentro la asamblea, o tiene cualquier pregunta con respecto a la operación segura de este producto. **LÍNEA CALIENTE DE LA AYUDA:** 574-848-7491 o 800-294-0671

EarthWay®

Land Management

ASSEMBLY AND OPERATING INSTRUCTIONS

for 2750 Broadcast Spreader

INSTRUCCIONES DE LA ASAMBLEA Y DE FUNCIONAMIENTO

para 2750 Sembrador o Esparcidor

ASSEMBLÉE ET CONSIGNES D'UTILISATION

pour 2750 Épandeur Centrifuge

ASSEMBLY INSTRUCTIONS:

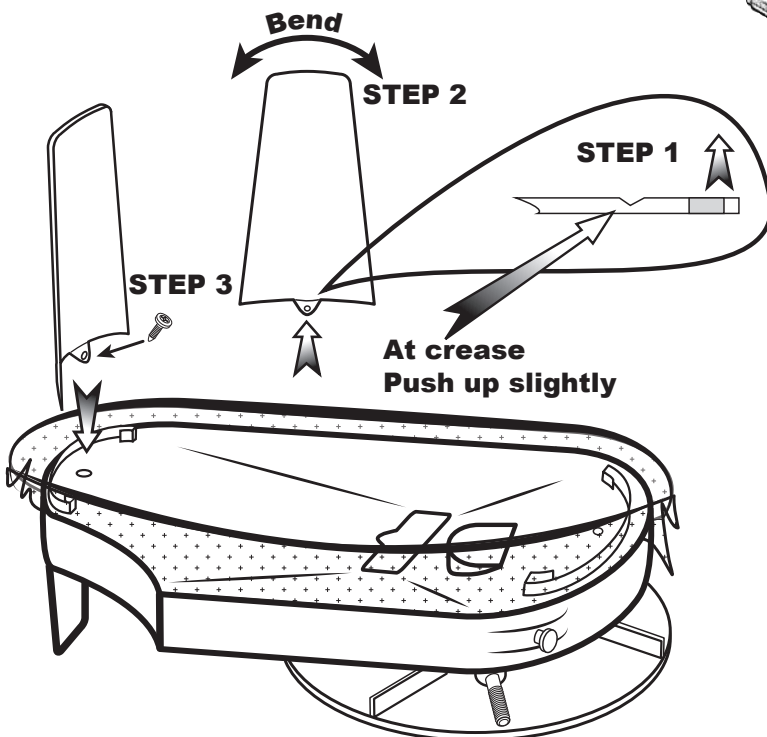
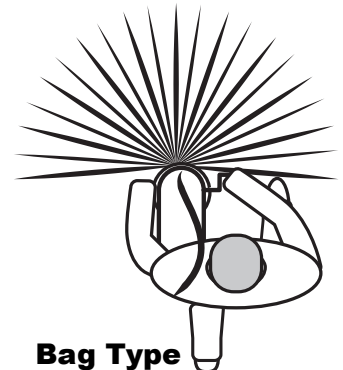
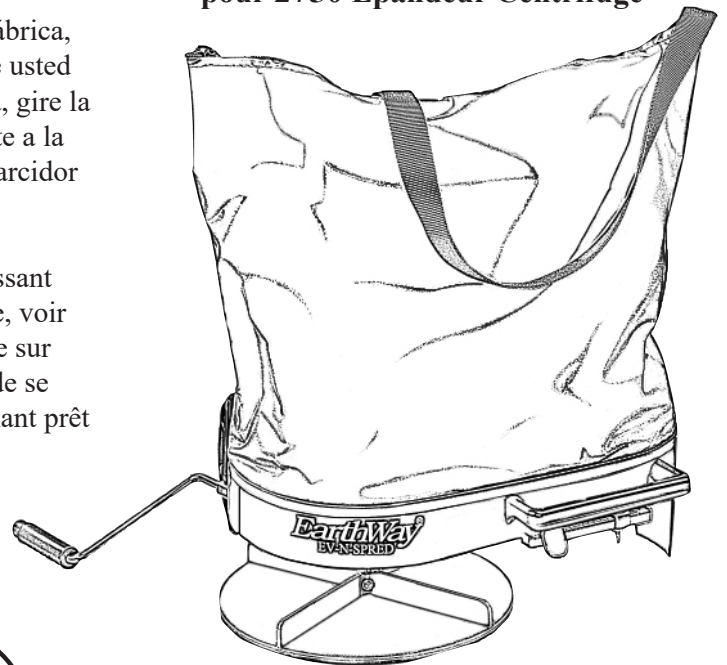
Your 2750 Seeder / Spreader is pre-assembled at the factory, leaving only the handle crank and the new Bag Supports for you to attach, see the steps below. To attach the crank, turn crank onto crankshaft. No need to tighten, just allow the crank to tighten itself as you use it. Your seeder / spreader is now ready for use.

INSTRUCCIONES DE ASAMBLEA:

Su Sembradoras 2750 / Esparcidor de es pre-ensamblados en la fábrica, dejando sólo a la manivela y la bolsa de nuevos soportes para que usted pueda conectar, ver los siguientes pasos. Para colocar la manivela, gire la manivela en el cigüeñal. No hay necesidad de apretar, sólo permite a la manivela a sí mismo como ajuste de usar lo. Su sembradora / esparcidor ya está listo para su uso.

INSTRUCTIONS D'ASSEMBLÉE :

Votre 2750 Semoir à / Épandeur est pré-assemblé en usine, ne laissant que la manivelle et le sac de nouveaux supports pour vous joindre, voir les étapes ci-dessous. Pour fixer la manivelle, tourner la manivelle sur le vilebrequin. Pas besoin de serrer, juste permettre la manivelle de se serrer comme vous l'utilisez. Votre semoir / épandeur est maintenant prêt à utiliser.



OPERATING INSTRUCTIONS:

Before filling the bag, become familiar with the operation of your spreader.

- Obtain proper setting for material to be used from the rate-setting chart from the underside of the unit.
- Loosen wing nut and move setting indicator to proper setting. (When indicator is all the way forward it will be on setting number 1). Tighten wing nut after adjustment.
- To fill, make sure slide opening is in closed position. Fill bag approximately 1/2 to 2/3 full.
- Always start walking and turning handle crank before opening the feed slide. To open feed slide, simply pull slide lever back and place behind the indicator. Crank should make one revolution for each step taken with right foot to ensure proper distribution rate.
- To close feed slide, simply push up on slide lever and slide will trip to closed position.

INSTRUCCIONES DE FUNCIONAMIENTO:

Antes de llenar el bolso, conviértase al corriente de la operación de su esparcidor.

- Obtenga la colocación apropiada para la materia para ser utilizada del gráfico de tasa-poniendo de la cara inferior de la unidad.
- Afloje la tuerca de ala y muévase fijando el indicador al ajuste apropiado. (Cuando el indicador es hasta el final delantero estará en fijar el número 1). Apriete la tuerca de ala después del ajuste.
- Llenar, cerciórese de que abertura de la diapositiva está en la posición cerrada. Llene el bolso el aproximadamente 1/2 a 2/3 llenos.
- Comience siempre a caminar y a dar vuelta a la manivela de la manija antes de que abra la diapositiva de la alimentación. Para abrir la diapositiva de la alimentación, tire simplemente de la parte posterior a de la palanca de la diapositiva y colóquela detrás del indicador. La manivela debe hacer una revolución para cada medida tomada con el pie derecho para asegurar tarifa apropiada de la distribución.
- Para cerrar la diapositiva de la alimentación, para empujar simplemente hacia arriba en palanca de la diapositiva y diapositiva disparará a la posición cerrada.

CONSIGNES D'UTILISATION:

Avant de remplir sac, devenez au courant du fonctionnement de votre écarteur.

- Obtenir le cadre correct pour le matériel être utilisé du graphique taux-réglant du dessous de l'unité.
- Détachez l'écrou-papillon et déplacez-vous en plaçant l'indicateur à l'arrangement approprié. (Quand l'indicateur est toute manière vers l'avant il sera sur placer le numéro 1). Serrez l'écrou-papillon après l'ajustement.
- Pour remplir, veillez qu'ouverture de glissière est en position fermée. Remplissez sac approximativement 1/2 à 2/3 pleins.
- Commencez toujours à marcher et à tourner la manivelle de poignée avant qu'ouvrant la glissière d'alimentation. Pour ouvrir la glissière d'alimentation, tirez simplement le dos de levier de glissière et le placez derrière l'indicateur. La manivelle devrait faire une révolution pour chaque mesure prise avec le pied droit pour assurer le taux approprié de distribution.
- Pour fermer la glissière d'alimentation, pour soulever simplement sur le levier de glissière et la glissière se déclenchera dans la position fermée.

5-YEAR LIMITED WARRANTY

Earthway Products, Inc. warrants this product free of defects in original workmanship and materials for a period of 5-Years to the end user with the original purchase receipt. If a manufacturing non-conformance is found, Earthway Products, Inc. at its discretion will repair or replace the part(s) or product at no charge provided the failure is not the result of incorrect installation, mishandling, misuse, tampering, or normal wear and tear as determined by Earthway. Earthway at its discretion may require that the part(s) or product be returned along with the original purchase receipt at owners' expense for examination and compliance with the terms of this warranty. Do not return any product without first receiving authorization from Earthway Products, Inc. To seek remedy under this warranty, contact Earthway Products, Inc. at 574-848-7491, techsupport@Earthway.com or write to Earthway Products, Inc. P.O. Box 547 Bristol, Indiana 46507 and describe the nature of the manufacturing defect. **SPECIFIC LIMITATIONS:** This warranty covers only the part(s) or product; any labor charges associated with repair or replacement of non-conformances are specifically excluded. Due to the corrosive nature of most fertilizers and ice melt products, Earthway Products, Inc. makes no warranty against and specifically excludes part(s) or product degradation or failure due to corrosion or its effects. Clean and dry your spreader thoroughly after each use, as a preventative measure, coat all metal parts with a light oil or silicon spray.

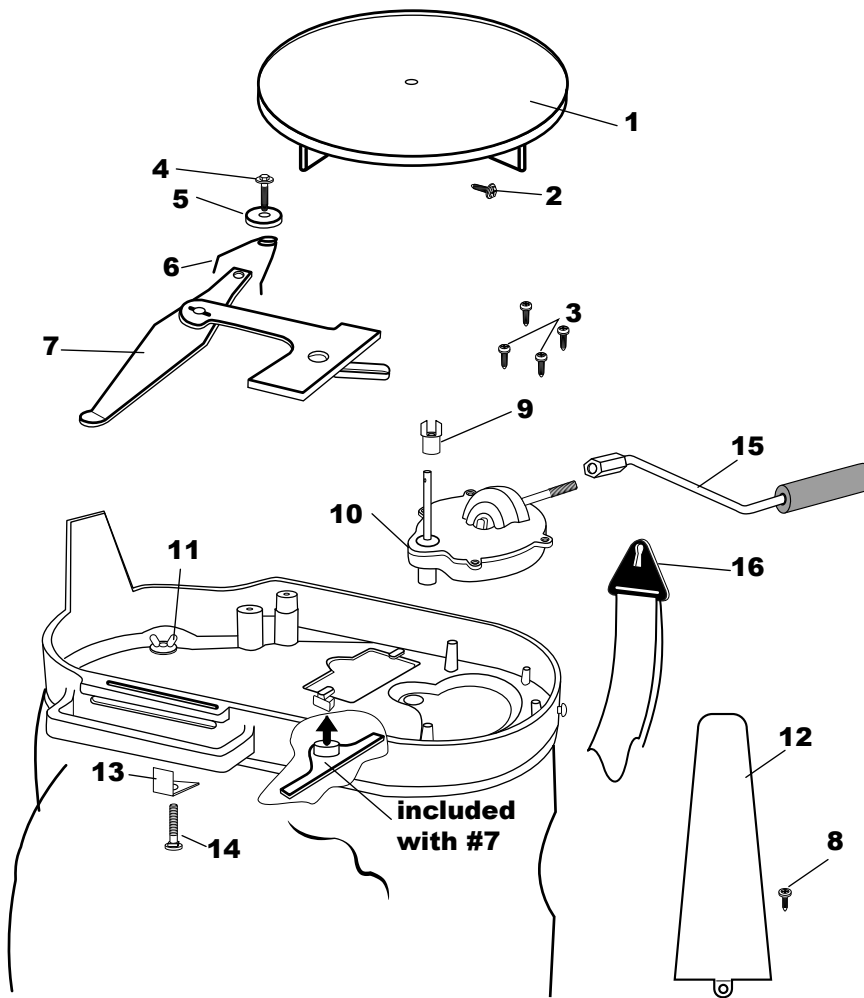
GARANTIE LIMITÉE DE 5 ANS

Earthway Products, Inc. garantit ce produit libre de défauts dans l'original de fabrication et de matériaux pour une période de 5 ans de l'utilisateur final avec la réception achat initiale. Si une fabrication non-conformité est trouvée, Earthway Products, Inc. à sa discrétion réparer ou le remplacer la partie ou au produit gratuitement, sous réserve que la défaillance ne soit pas le résultat d'installation incorrecte, traiter incorrectement les abus, falsification ou usure normale tel que déterminé par Earthway. Earthway à sa discrétion peut exiger que la partie ou au produit être renvoyé avec la réception achat initial au propriétaires frais pour examen et de la conformité avec les termes de cette garantie. Ne renvoient pas tout produit sans autorisation récepteur première de Earthway Products, Inc. De demander réparation en vertu de cette garantie, contactez Earthway Products, Inc. à 574-848-7491, techsupport@Earthway.com ou écrire à (Earthway Products, Inc. P.O. Box 547 Bristol, Indiana 46507 et décrire la nature du défaut de fabrication. **LIMITATIONS SPÉCIFIQUES:** Cette garantie couvre uniquement la partie ou produit ; frais de travail associés à réparation ou remplacement de non-conformité sont spécifiquement exclus. En raison de la nature corrosif de la plu part des engrais et glace fondre produits, Earthway Products, Inc. ne garantit pas contre et exclut spécifiquement dégradation partie ou d'un produit ou l'échec en raison de la corrosion ou de ses effets. Nettoyer et Séchez soigneusement votre écarteur après que chaque utilisation, comme une mesure préventive, enrober toutes les pièces de métal avec une lumière pulvérisation de pétrole ou de silicium.

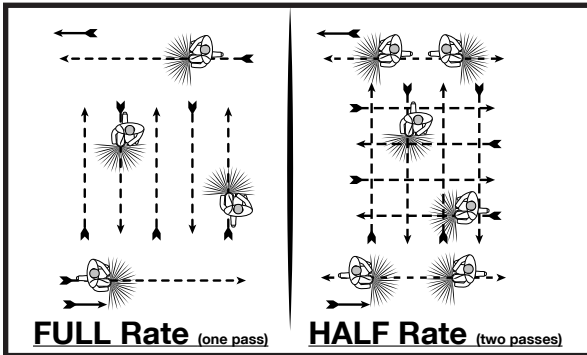
GARANTÍA LIMITADA DE 5 AÑOS

Earthway Products, Inc. merece este producto libre de defectos en la mano de obra y materiales para un período de 5 años originales para el usuario final con el recibo de compra original. Si se encuentra una producción no-conformidad, Earthway Products, Inc. a su discreción se reparar o reemplazar los elementos o producto sin cargo siempre el fracaso no es el resultado de la instalación incorrecta, errores, abuso, alteración o desgaste normal como determine Earthway. Earthway a su discreción puede requerir que los elementos o producto devolverse junto con el recibo de compra original a los propietarios gastos para el examen y el cumplimiento con los términos de esta garantía. No devuelven cualquier producto sin autorización de recepción primer de Earthway Products, Inc. A buscar remedio bajo esta garantía, en contacto con Earthway Products, Inc. en 574-848-7491, techsupport@Earthway.com o escribir a Earthway Products, Inc. P.O. Box 547 Bristol, Indiana 46507 y describir la naturaleza del defecto de fabricación. **LIMITACIONES ESPECÍFICAS:** Esta garantía cubre sólo los elementos o producto; cualquier cargos de mano de obra asociados con la reparación o sustitución de conforman ce s-no se excluyen específicamente. Debido a la corrosiva naturaleza de la mayoría de los fertilizantes y hielo derretir productos, Earthway Products, Inc. no garantiza contra y excluye específicamente la degradación de elementos o producto o el fracaso debido a la corrosión o sus efectos. Limpiar y secar su diseminador minuciosamente después de cada uso, como una medida preventiva, recubrir todas las partes metálicas con una luz spray de aceite o silicio.

Earthway Products, Inc.
P.O. Box 547
Bristol, Indiana 46507
Phone: 800-294-0671 or
(574) 848-7491
www.earthway.com



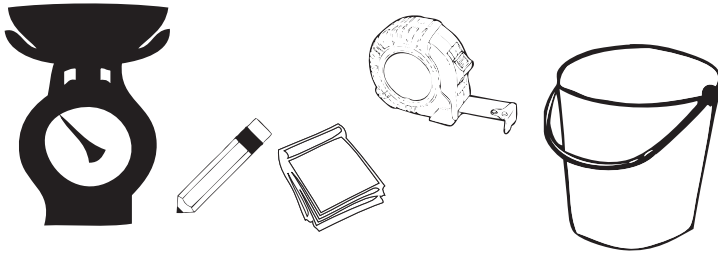
| 2750 BAG SEEDER - Parts List | | |
|------------------------------|--------|-----------------------------|
| KEY # | PART # | DESCRIPTION |
| 1 | 12109 | IMPELLER (9" DIA) |
| 2 | 31103 | #6 X 1/2" HWHS SCREW |
| 3 | 31113 | #6 X 5/8" PHPS SCREW |
| 4 | 31152 | #6 X 1 UNSHW SCREW |
| 5 | 43029 | TORSION WASHER |
| 6 | 70117 | TORSION SPRING |
| 7 | 12330 | SHUT OFF ASSEMBLY |
| 8 | 31138 | #8 X 3/8" PMT SCREW |
| 9 | 12329 | CAM |
| 10 | 60411 | GEAR CASE ASSEMBLY |
| 11 | 32106 | 10-24 WING NUT |
| 12 | 12189 | BAG SUPPORT |
| 13 | 12334 | INDICATOR |
| 14 | 37103 | #10-24 X 3/4" CARRIAGE BOLT |
| 15 | 60117 | HAND CRANK ASSEMBLY |
| 16 | 12328 | STRAP HOOK |



| FIELD SEED | SPREAD WIDTH | SETTING RATE | LBS. per ACRE | FIELD SEED | SPREAD WIDTH | SETTING RATE | LBS. per ACRE | | | | | | | | | | | | | | | | | | | | | | | | |
|----------------------------|--------------|--------------|------------------------|---|--------------|--------------|---------------|-----------|--------------|--------------|------------------------|---------|-----|---|-----|-------------|-----|-----|---|-----------|----|-----|---|--------------------|----|-----|---|----------------------|----|-----|---|
| Alfalfa | 18 | 2 ½ | 20 | Rape | 21 | 2 ½ | 6 ¾ | | | | | | | | | | | | | | | | | | | | | | | | |
| Kentucky 31 | 11 | 3 ½ | 5 | Sweet Sudan Grass | 24 | 3 ¾ | 25 | | | | | | | | | | | | | | | | | | | | | | | | |
| Birdsfoot Trefoil | 20 | 1 ¾ | 4 | Timothy | 14 | 1 | 2 ¾ | | | | | | | | | | | | | | | | | | | | | | | | |
| Clovers | 18 | 2.25 | 8 | Wheat | 25 | 4 ½ | 90 | | | | | | | | | | | | | | | | | | | | | | | | |
| Flax or Millet | 18 | 2 ½ | 25 | Yellow Mustard | 20 | 2 ½ | 7 2/3 | | | | | | | | | | | | | | | | | | | | | | | | |
| Hairy Vetch | 18 | 3 ½ | 20 | <table border="1"> <thead> <tr> <th>LAWN SEED</th> <th>SPREAD WIDTH</th> <th>SETTING RATE</th> <th>LBS. per 1,000 SQ. FT.</th> </tr> </thead> <tbody> <tr> <td>Bermuda</td> <td>7 ½</td> <td>1</td> <td>2 ¼</td> </tr> <tr> <td>Merlon Blue</td> <td>7 ½</td> <td>2 ½</td> <td>¼</td> </tr> <tr> <td>Rye Grass</td> <td>13</td> <td>4 ½</td> <td>1</td> </tr> <tr> <td>Fine Seed Mixtures</td> <td>10</td> <td>3 ½</td> <td>4</td> </tr> <tr> <td>Coarse Seed Mixtures</td> <td>12</td> <td>4 ½</td> <td>1</td> </tr> </tbody> </table> | | | | LAWN SEED | SPREAD WIDTH | SETTING RATE | LBS. per 1,000 SQ. FT. | Bermuda | 7 ½ | 1 | 2 ¼ | Merlon Blue | 7 ½ | 2 ½ | ¼ | Rye Grass | 13 | 4 ½ | 1 | Fine Seed Mixtures | 10 | 3 ½ | 4 | Coarse Seed Mixtures | 12 | 4 ½ | 1 |
| LAWN SEED | SPREAD WIDTH | SETTING RATE | LBS. per 1,000 SQ. FT. | | | | | | | | | | | | | | | | | | | | | | | | | | | | |
| Bermuda | 7 ½ | 1 | 2 ¼ | | | | | | | | | | | | | | | | | | | | | | | | | | | | |
| Merlon Blue | 7 ½ | 2 ½ | ¼ | | | | | | | | | | | | | | | | | | | | | | | | | | | | |
| Rye Grass | 13 | 4 ½ | 1 | | | | | | | | | | | | | | | | | | | | | | | | | | | | |
| Fine Seed Mixtures | 10 | 3 ½ | 4 | | | | | | | | | | | | | | | | | | | | | | | | | | | | |
| Coarse Seed Mixtures | 12 | 4 ½ | 1 | | | | | | | | | | | | | | | | | | | | | | | | | | | | |
| Kentucky Blue Grass | 8 | 3 ½ | 49 ½ | | | | | | | | | | | | | | | | | | | | | | | | | | | | |
| Lespedeza Unhulled | 16 | 2 | 15 | | | | | | | | | | | | | | | | | | | | | | | | | | | | |
| Lespedeza Hulled | 16 | 2 | 12 | | | | | | | | | | | | | | | | | | | | | | | | | | | | |
| Oats | 16 | 6 | 64 | | | | | | | | | | | | | | | | | | | | | | | | | | | | |
| Orchard Grass | 10 | 2 ½ | 14 | | | | | | | | | | | | | | | | | | | | | | | | | | | | |
| Red Top | 10 | 1 ½ | 6 | | | | | | | | | | | | | | | | | | | | | | | | | | | | |
| Imperial White Tall Clover | 18 | 1 ¾ | 8 | | | | | | | | | | | | | | | | | | | | | | | | | | | | |

Hand Crank Spreader Rate Setting Instructions

EarthWay®
Land Management

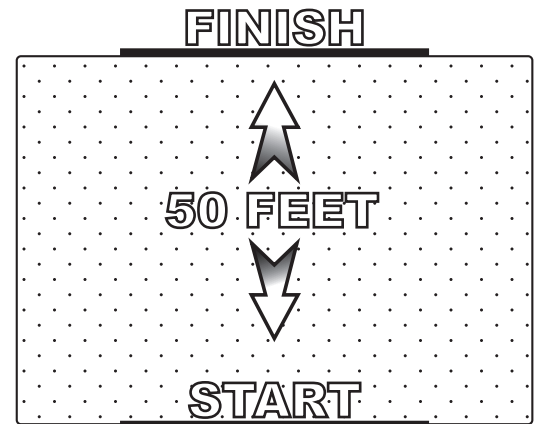


YOU WILL NEED:

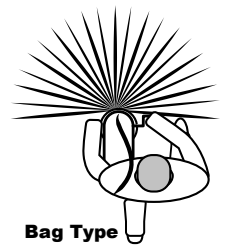
- Tape measure
- Pencil & Pad
- Scale
- Bucket/container

To Calculate RATE SETTINGS: (Use the chart on page 2 to fill in numbers)

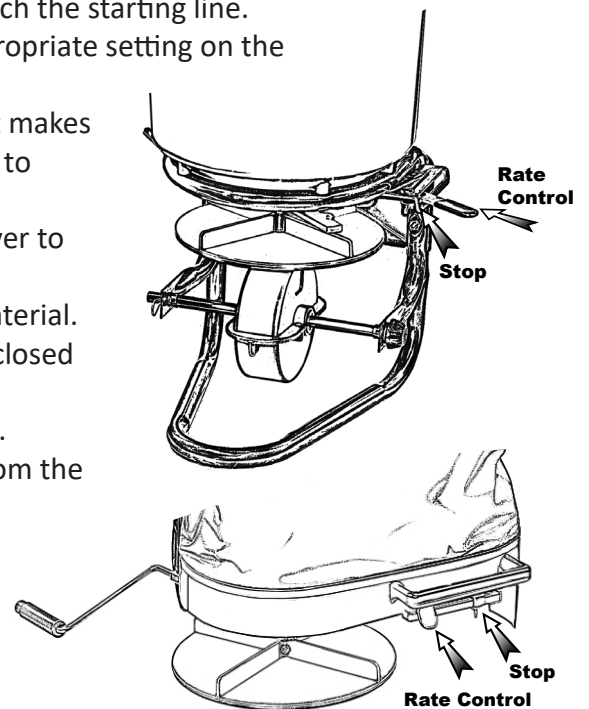
- ✓ Determine how much material is to be applied per 1,000 sq./ft. This is determined on the bag based on bag weight and total area of coverage if not directly stated on the bag the recommended number of pounds per 1,000 sq./ft.
- ✓ Measure off a distance of 50 feet, preferably on a paved surface such as a parking lot.
- ✓ Weigh out enough of the material to be applied to fill the bag/hopper at least half full.
- ✓ Record the weight for future use.
- ✓ With the unit positioned correctly for comfortable use, (on your left hip for 2700A/2750 or on your chest for the 3100/3200 models) and the bag/hopper at least half full of the material to be spread, position yourself far enough before the beginning of the 50 foot test area so that you will achieve the desired speed before you reach the starting line.
- ✓ Select the Setting Rate position that you feel would be an appropriate setting on the seeder/spreader (start in the middle).
- ✓ Start walking at a NORMAL pace cranking the handle so that it makes **one revolution for each step** with either your right or left foot to ensure the proper distribution rate.
- ✓ As you cross the starting line (of the 50 feet) move the rate lever to the open position against the stop.
- ✓ Continue from the starting line with the unit spreading the material. As you cross the finish line move the rate control lever to the closed position.
- ✓ Stop walking and measure the spread width and note it below.
- ✓ Return to the start point and empty the remaining material from the hopper into your weighing container and re-weigh.



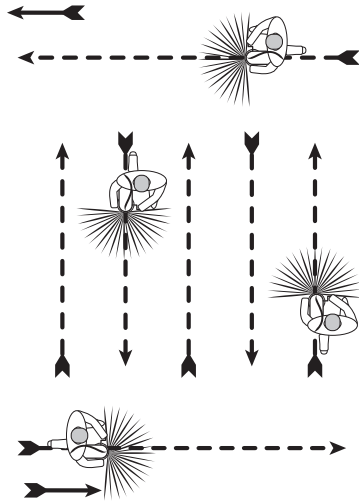
Chest Type



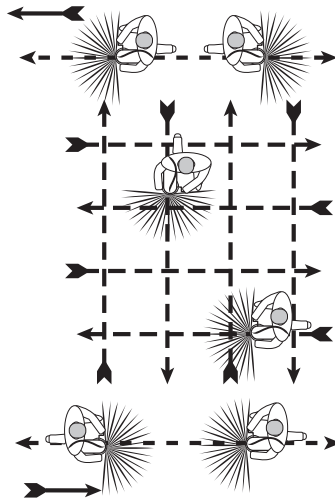
Bag Type



Spreading Paths



FULL Rate (one pass)



HALF Rate (two passes)

CHART

Desired Application Rate (lbs./1,000 sq. ft.) _____

To determine the desired application rate divide the area (sq. ft.) that the bag says it should cover, by the weight of the bag, and then multiply by 1,000. (Example: 5,000 sq. ft. / 25 lbs. = .005 x 1,000 = 5lbs. per 1,000 sq. ft.)

_____ Weight of Material Placed in Bag/Hopper
 - _____ Subtract the Weight of Material Left in Bag/Hopper
 = _____ Weight of Material Used

X _____ Multiply by the Width of Spread Area by Length (50 feet)
 = _____ Total Spread Area

Divide the Weight of Material Used by the Total Spread Area = _____ lbs.\sq. ft.

Multiply the lbs.\sq. ft. from above times 1,000 = _____ lbs.\1,000 sq. ft.

Compare the results of your test to the desired application rate.
 Adjust the rate setting stop accordingly and run through the test again.
 Repeat this process until you have achieved the desired application rate.

These settings are intended as a guide only. Variations in physical characteristics of material applied, brisk walking speed (3 mph.), and roughness of ground surface may require slightly different spreader settings. Due to the above conditions, Earthway Products, Inc. makes no warranty as to the uniformity of coverage actually obtained from the setting listed.