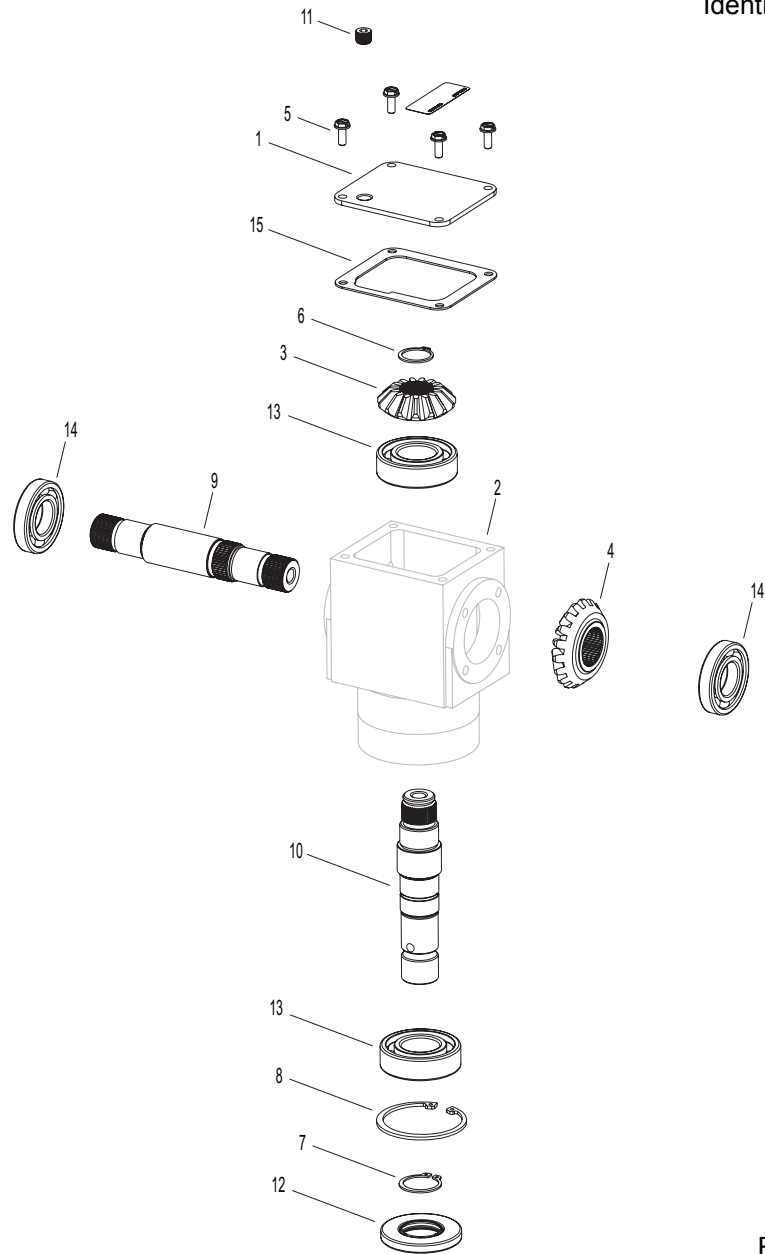


WALKER MANUFACTURING COMPANY

ALUMINUM PEERLESS GEARBOX 1000-100 (WALKER P/N 7751-16)

For 48" Decks After S/N 99-46813



Return to
Identification Page

ITEM NO.	WALKER PART NO.	PEERLESS PART NO.	DESCRIPTION	NO. REQ'D
1	P018	772067	Cover, LH	1
2	N/A	770117	"T" Drive Housing	1
3	P047*	6064P1	Bevel Gear (15 teeth-steel)	1
4	P047*	6065P1	Bevel Gear (18 teeth-steel)	1
5	P008	792025	Screw, RD/HD Self-Tap	4
6	P032	788018	Snap Ring, Gear Retainer	1
7	P051	788079	Snap Ring, Shaft Retainer	1
8	P052	788080	Snap Ring Bearing, Retainer	1
9	P017	776072A	Input/Output Shaft	1
10	P056	6509-P1	Input Shaft	1
11	P041	28534	Plug, Cover	1
12	P042	788099	Seal	1
13	P044	780174	Ball Bearing	2
14	P024	780034	Ball Bearing	2
15	P004	788028	Gasket Cover	1

* P047 is a Matched Set - Walker only offers these as a set.

Return to
Identification Page

**This Gearbox is used in the following applications:
For The Following Decks After S/N 99-46813
DGHS48 Tee Gearbox**