

Instruction Sheet

Kit Number: 71513100

42-INCH MULCH KIT

For Use On Models:

915148, 159, 170, 171, 323 (S/N 10000 and up)



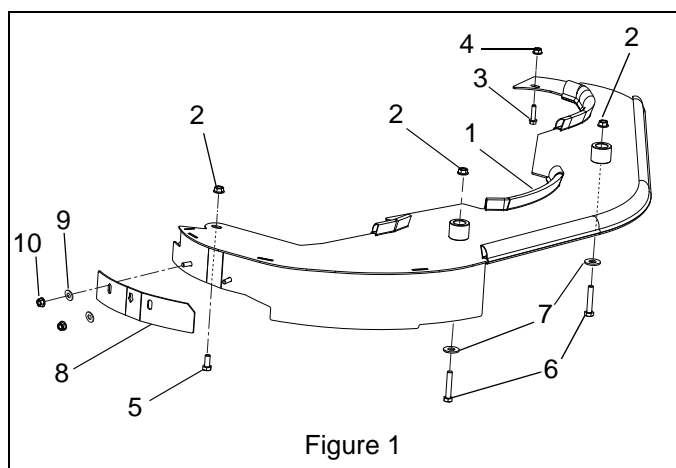
WARNING: FAILURE TO FOLLOW INSTRUCTIONS could result in personal injury and/or damage to unit.

Read, understand, and follow all safety practices in Owner/Operator Manual before beginning.

Package Contents

Check the contents of your kit for the parts listed below (Figure 1):

Item	Description	Qty	Part Number
1	42" Mulch Baffle Weldment	1	04447251
2	5/16-18 Locking Top Flange Nut	3	06543100
3	1/4-20 x 1 Hex Washer Head Tapping Screw	1	07412400
4	1/4-20 Locking Top Flange Nut	1	06543500
5	5/16-18 x 3/4 Hex Bolt	1	05947000
6	5/16-18 x 1-3/4 Hex Bolt	2	05957400
7	7/16 x 1 x 5/64 Flat Washer	2	06435900
8	42" Mulch Cover	1	04687551



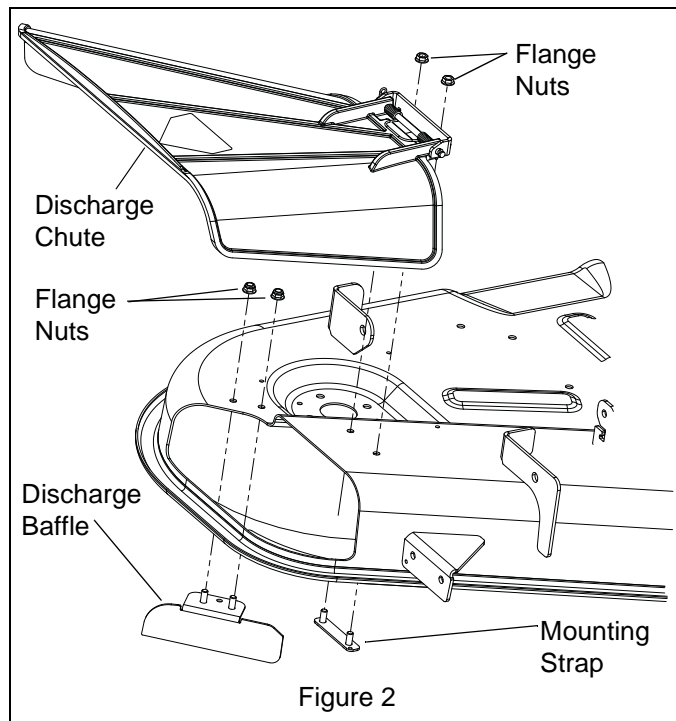
REMOVAL

1. Stop engine, remove key, wait for all moving parts to stop and engine to cool, and disconnect spark plug wire.
2. Set deck to highest cutting height.
3. Raise the front of the unit to expose the underside of the deck. Securely support the unit.



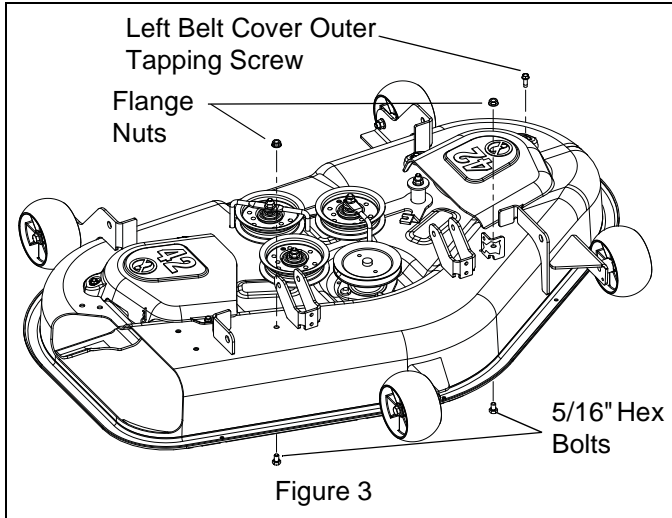
WARNING: Mower blades are sharp and can cut you. Wrap the blade(s) or wear gloves, and use extra caution when servicing them.

4. Remove two locking top flange nuts from discharge chute mount and remove discharge chute and mounting strap. Retain discharge chute and all hardware for future use with discharge chute or bagger. See Figure 2.
5. Remove two locking top flange nuts from discharge baffle and remove baffle. Retain discharge baffle and hardware for future use with discharge chute or bagger. See Figure 2.



6. Remove two 5/16" hex bolts and locking top flange nuts from the top leading edge of the mower deck. Retain for future use with discharge chute or bagger. See Figure 3.

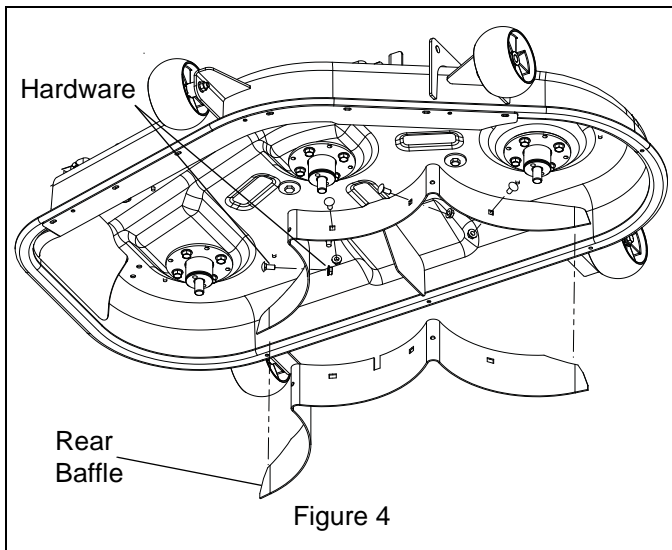
- Remove the outer 1/4 x 3/4" hex tapping screw from the left belt cover. Retain for future use with discharge chute or bagger. See Figure 3.



- Remove blades.

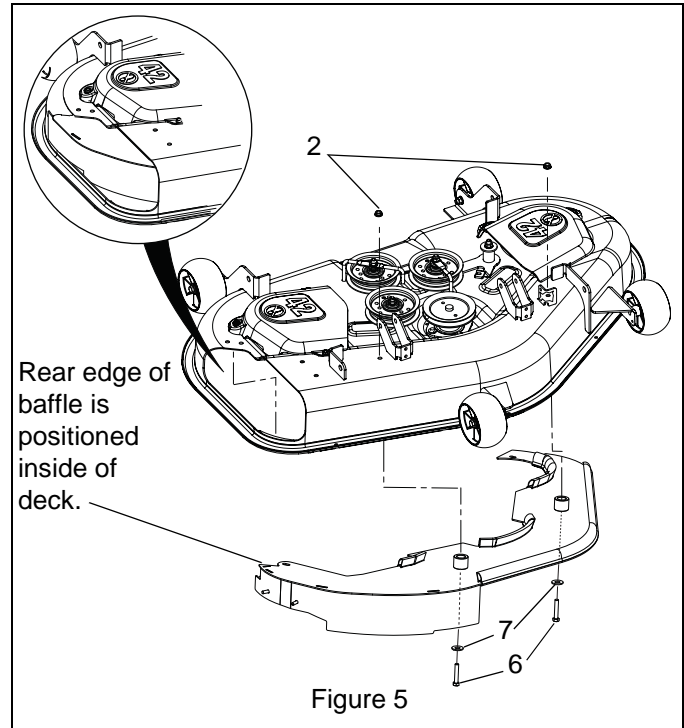
WARNING: Mower blades are sharp and can cut you. Wrap the blade(s) or wear gloves, and use extra caution when removing and handling.

- Remove four round head square neck bolts and hex nuts retaining rear baffle and remove baffle. Retain baffle and hardware for future use with discharge chute or bagger. See Figure 4.

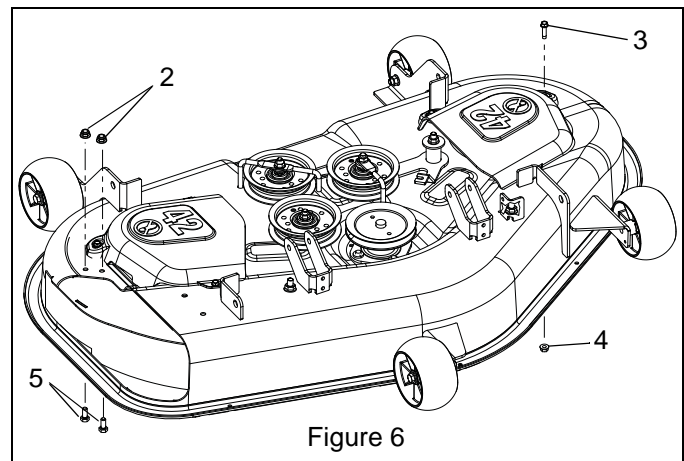


INSTALLATION

- Install mulch baffle into deck with the rear edge of the baffle positioned inside of the deck. See Figure 5.
- From bottom side of mulch kit, install two 5/16-18 x 1-3/4" bolts (item 6) and two 7/16" flat washers (item 7). See Figure 5.
- Secure the mulch baffle from the top of the deck with two 5/16" locking top flange nuts (item 2). See Figure 5.

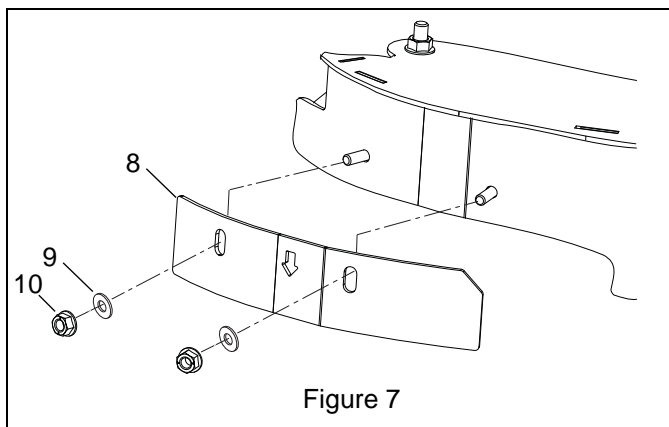


- From the top of the deck install 1/4 x 1" hex washer head tapping screw (item 3) through outer hole in left side belt cover. From under the deck secure with 1/4" locking top flange nut (item 4). See Figure 6.
- From the underside of the deck install two 5/16 x 3/4" hex bolts (item 5) and secure with two 5/16" locking top flange nuts (item 2). See Figure 6.



- Install mower blades. Ensure that blades are installed with air lifts facing upward. Torque blade nuts to 92 – 130 lbf-ft (125 – 176 N•m).

- Secure mulch cover (item 8) onto weld screws with two 5/16" flat steel washers (item 9) and two 1/4" locking top flange nuts (item 10). Position mulch cover over gap between deck opening and mulch baffle. See Figure 7.



- Lower unit to the ground.
- Connect spark plug wire to spark plug.

MULCHING TIPS

For best mulching quality, follow these tips:

- Mow at full throttle.
- Mow at half speed.
- Mow dry grass only. Mowing wet grass causes clumping.
- Keep mower blades sharp.
- Cut no more than 1 in. (2.5 cm) at a time. For tall grass, mow at a higher cutting height, then make a second (or third) pass with the deck set to the desired cutting height.
- Clean the underside of deck after each mowing.

IMPORTANT: When cleaning, DO NOT wash with high-pressure water. Allow all parts to cool before cleaning.