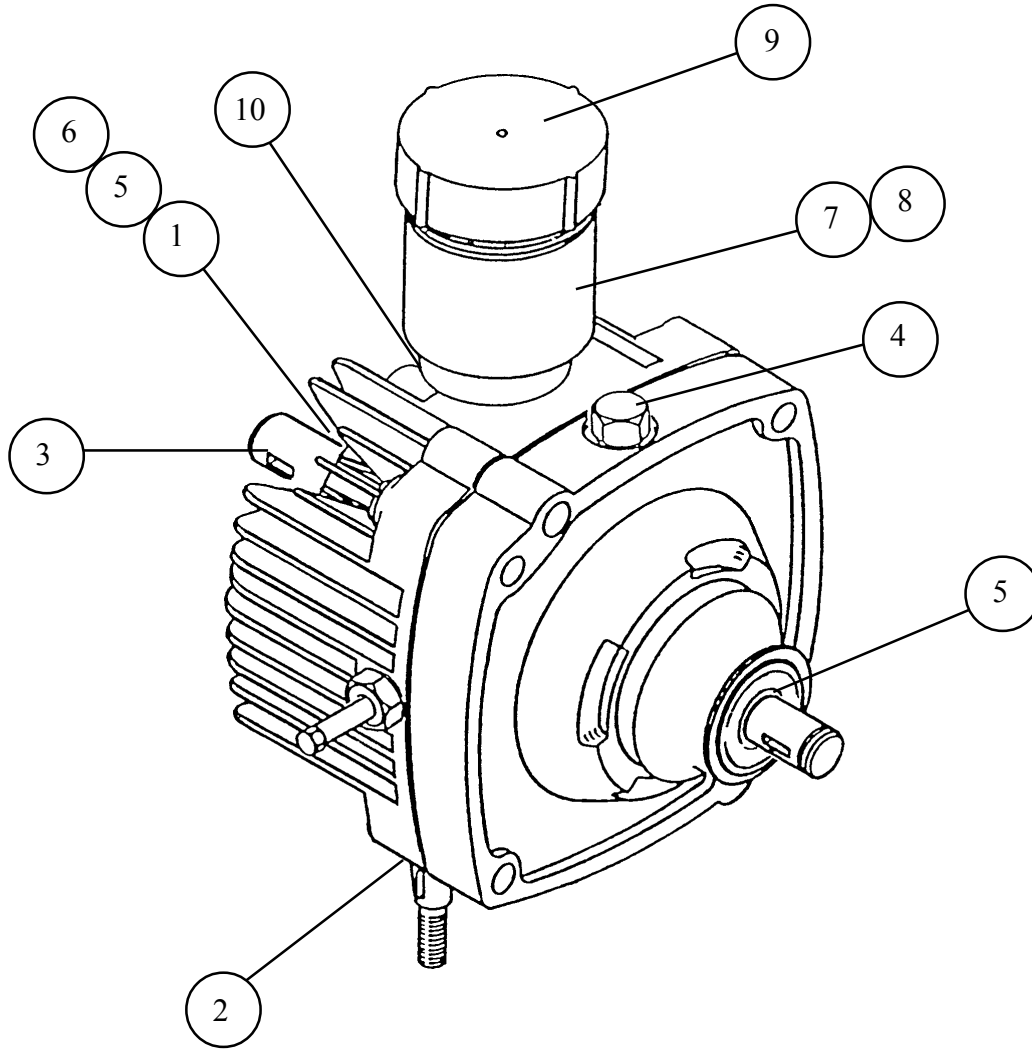


WALKER MANUFACTURING COMPANY

EATON HYDROSTATIC TRANSMISSION PARTS LIST



<u>ITEM NO.</u>	<u>WALKER PART NO.</u>	<u>DESCRIPTION</u>	<u>QTY. REQ'D</u>
1	5025-2	Seal, Input Shaft	1
2	5025-3	Seal, Control Shaft	1
3	5025-5	Input Shaft	1
4	5025-6	O-Ring & Plug Assembly	2
5	5025-7	Snap Ring	2
6	5025-8	Bearing, Input	1
7	5023	Transmission Reservoir Kit	1
8	5023-1	Rubber Bladder	1
9	5024	Reservoir Cap and Gasket	1
10	5022	Reservoir to Casting Gasket	1

A