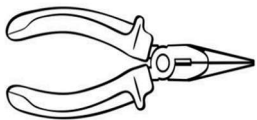


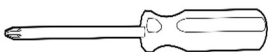


Prior to assembly, you will need the following tools:

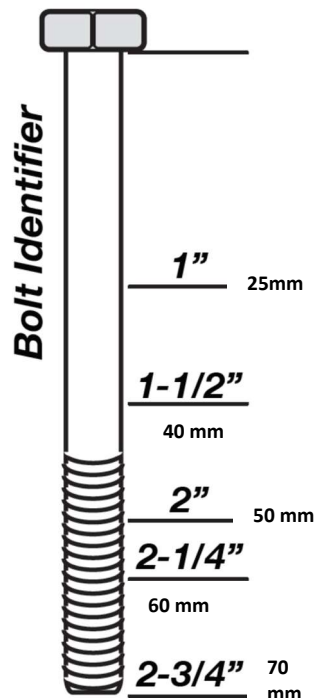
Needle nose pliers



#2 Phillips screwdriver



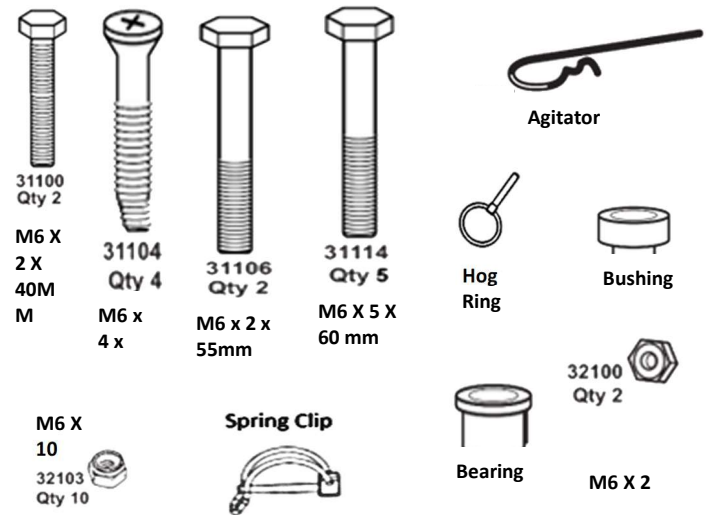
Adjustable wrench or 1/2" box wrench



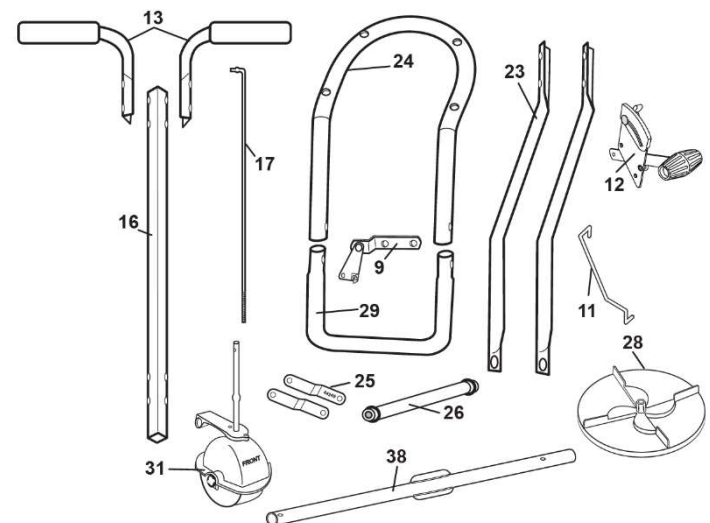
SIDE SPREAD CONTROL

Your EarthWay spreader includes a feature called side spread control. This feature turns off fertilizer from being spread to the left side. To activate this feature, slide the lever below the hopper to the right (if standing behind the spreader) and walk along a sidewalk or flowerbed that is 12"-14" on your left side. Fertilizer will not spread to the left. This feature is better than a deflector as no material is wasted by the deflector.

ASSEMBLY HARDWARE



SPREADER COMPONENTS



ROCK SALT and POWDERED MATERIALS should not be used in this spreader as it will damage the gearbox and can void warranty. Use only granular materials.

HELPFUL HINTS

- ☑ Read the directions before assembly.
- ☑ If your spreader does not spread evenly, be sure "FRONT" on the GEARBOX points to the front of the spreader. **The impeller must turn clockwise when pushing forward.** Reversing the GEARBOX will cause the impeller to turn counter clockwise. Clean the impeller plate after each use. Fertilizer stuck on the impeller blades will cause uneven spreading.
- ☑ Your spreader is designed to be pushed at three miles per hour, which is a brisk walking speed. Slower or faster speeds will change the spread patterns. Wet fertilizer will also change the spread pattern and flow rate. **Clean and dry** your spreader thoroughly after each use. Coat all metal surfaces (**inside & outside of tubing**) with light oil, Fluid Film® or silicon spray to help prevent corrosion. Wash between the shut off plate and bottom of the hopper. **Do not use powdered materials as it will damage the gearbox.**
- ☑ Gears are permanently lubricated at the factory. Do not open the GEARBOX or dirt may enter.

IF YOUR SPREADER COMES SEMI ASSEMBLED, SKIP TO STEP #7

ASSEMBLY INSTRUCTIONS

Step 1: Remove all components and hardware items from the box. Place the spreader hopper upside down and facing away from yourself.

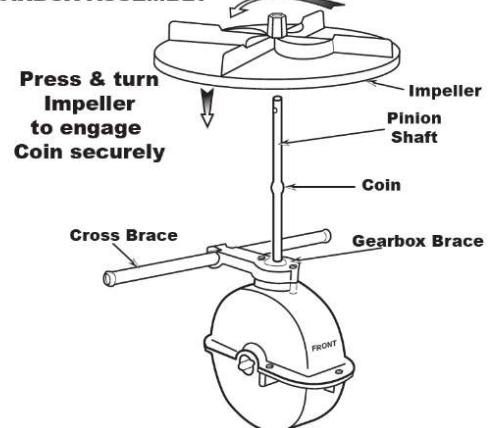
Step 2: Install FRAME using (4) #14 x 1½" (M6 x 1 x 40mm) Flat Head Phillips screws. **TIGHTEN THESE NOW**



Step 3: Install impeller onto pinion shaft by pressing the impeller as shown onto the pinion shaft and turning the impeller while holding the pinion shaft to engage with the COIN fully, and press down to secure.

Next, insert Cross Brace thru the Gearbox Brace as shown above.

GEARBOX ASSEMBLY

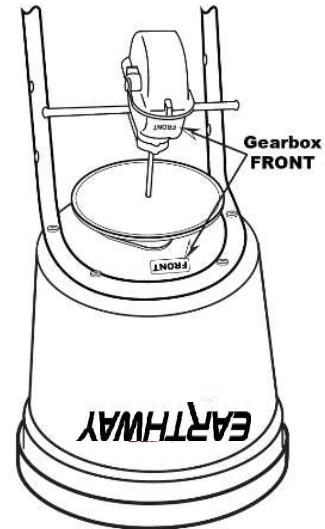


MODEL # 2150

ASSEMBLY INSTRUCTIONS

Step 4: Install GEARBOX by inserting the PINION SHAFT into hole in center of HOPPER bottom. The word "FRONT" on the GEARBOX must point to Front of the HOPPER.

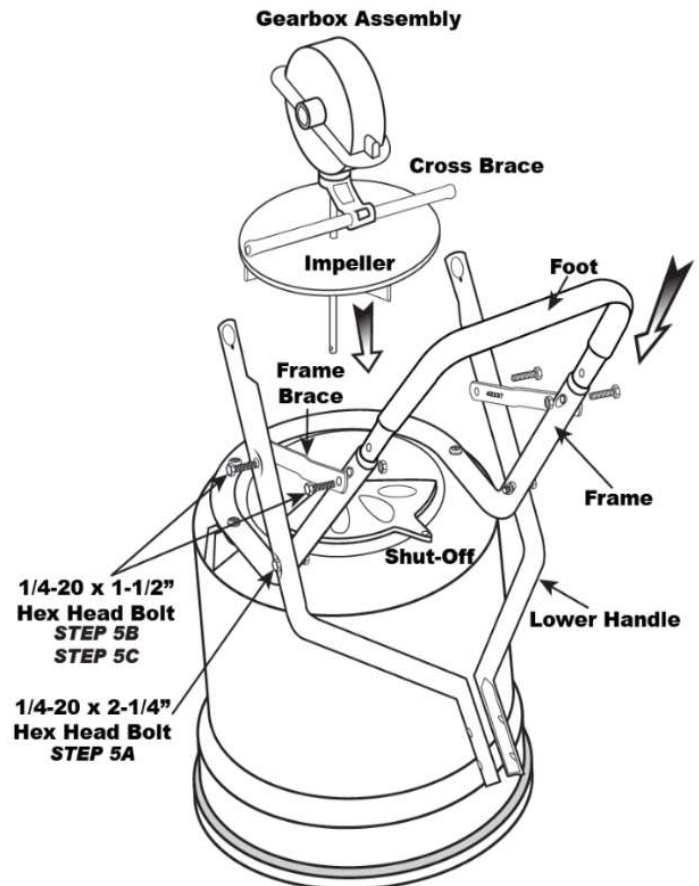
NOTE: The EarthWay logo on on the front of the hopper.



Step 5: (A) Install LOWER HANDLES onto FRAME to both sides as shown. Insert 2 1/4" (M6 x 1 x 40mm) bolt through hole in LOWER HANDLE and through hole in FRAME install locknut. **DO NOT TIGHTEN ALL THE WAY.**

(B) Now insert (2) 1 1/2" (M6 x 1 x 40mm) bolts into the hole in LOWER HANDLE, through FRAME brace, and then thread into the cross brace. **DO NOT TIGHTEN ALL THE WAY.**

NOTE: Only one bolt will thread into the cross brace on each side.



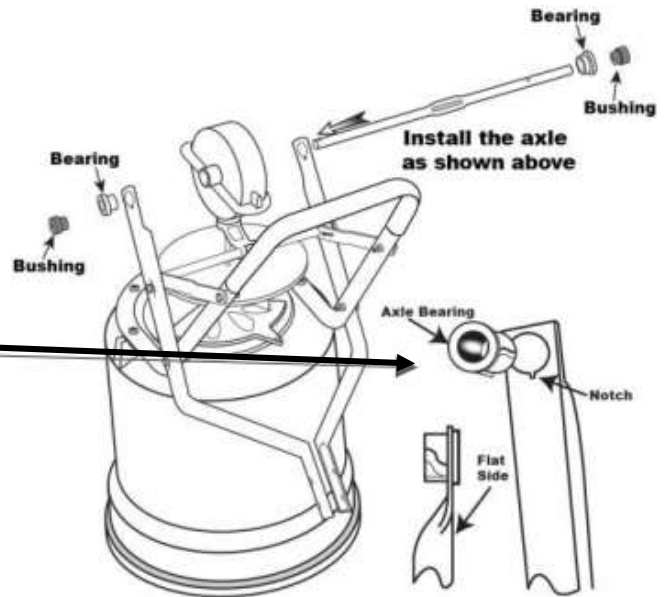
MODEL # 2150

ASSEMBLY INSTRUCTIONS

Step 6: Slide AXLE into the LOWER HANDLE, then the GEARBOX and into the other LOWER HANDLE as shown above. Next, install AXLE BEARINGS over the AXLE and into both LOWER HANDLES as shown above.

NOTE: Tab on BEARINGS and notches in the LOWER HANDLES you need to align.

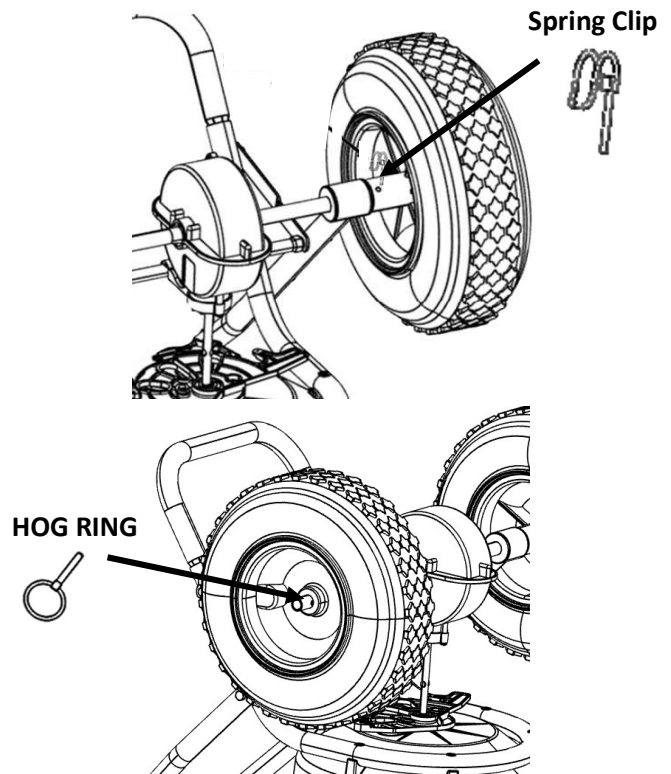
Now slide the BUSHINGS over the AXLE (as shown above) and into the BEARINGS.



NOW GO BACK AND TIGHTEN ALL NUTS AND BOLTS STARTING WITH FIRST STEP. DO NOT OVER TIGHTEN.

Step 7: Install DRIVE WHEEL onto the AXLE and align with the Spring Clip hole nearest to LOWER HANDLE as shown. Insert spring clip through wheel and through AXLE. Fold the spring clip to prevent the clip from falling out.

Step 8: Install COAST WHEEL onto the AXLE fully. The axle and axle hole will protrude through the rim. Insert "Hog Ring" through the axle (not through the wheel). Fold hog ring over to spring it into the folded position which will prevent the ring from falling out and keep the wheel from leaving the axle.

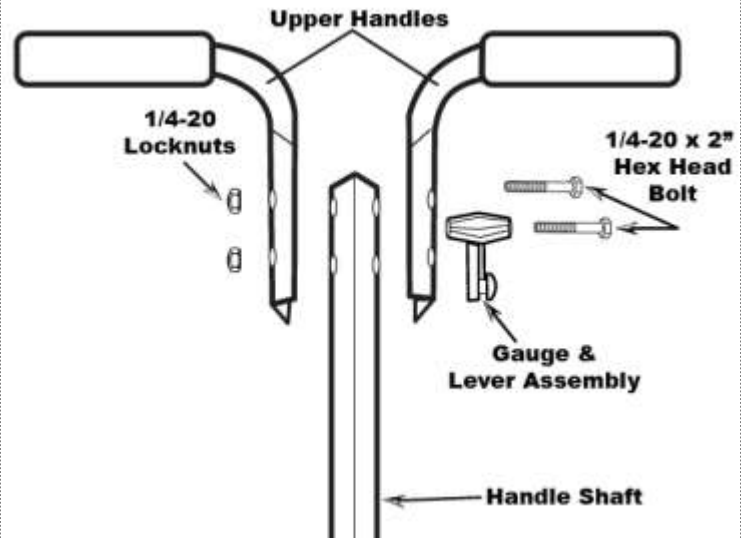


TURN SPREADER UPRIGHT ON TO WHEELS

MODEL # 2150

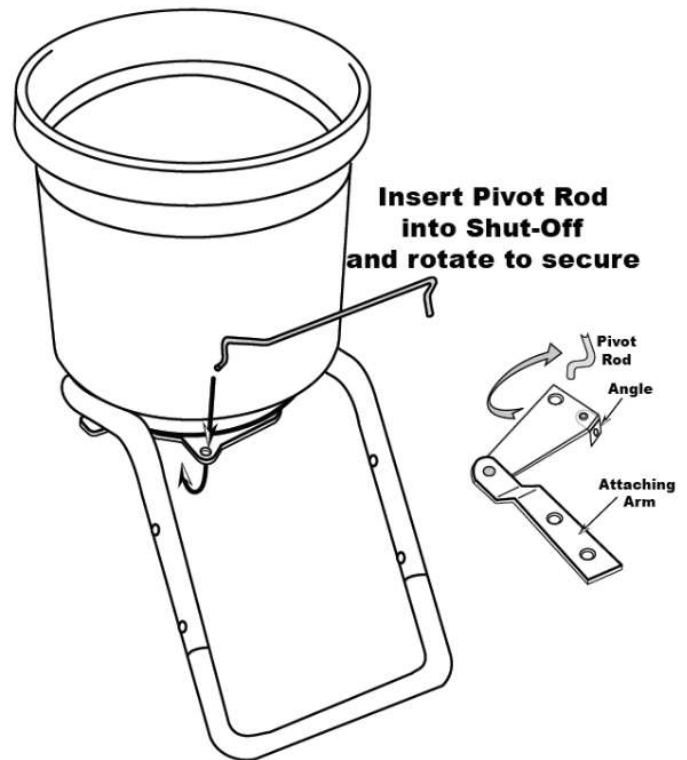
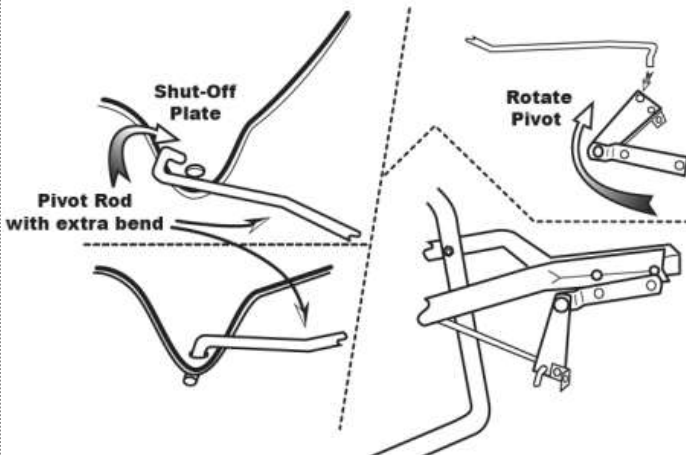
ASSEMBLY INSTRUCTIONS

Step 9: Insert 2" (M6 X 1 X 40MM) bolt through Gauge & Lever assembly, next through upper handle, then the handle shaft and then the other upper handle and secure with locknut. **TIGHTEN ALL HARDWARE NOW.**

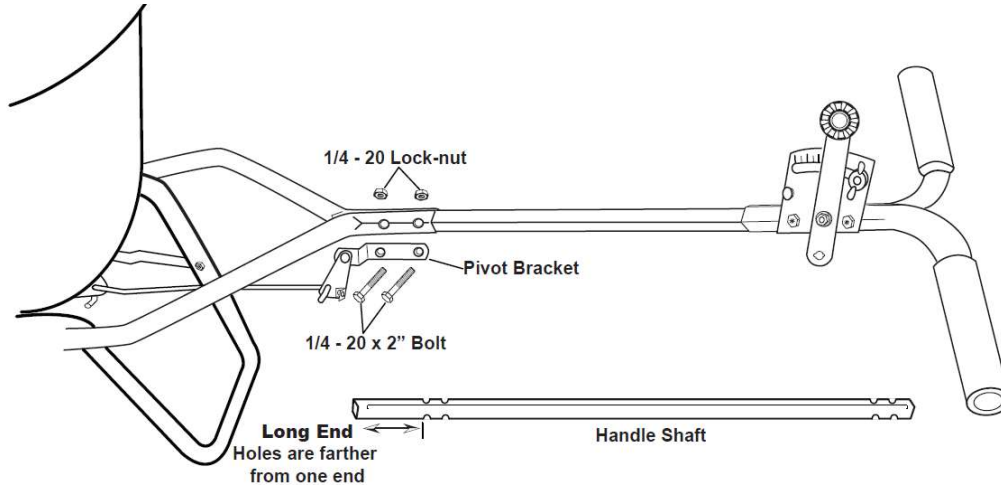


Step 10: Insert PIVOT ROD into SHUT-OFF PLATE as shown. Turn to lock in place.

Step 11: Insert other end of PIVOT ROD into PIVOT AND BRACKET assembly as shown. Turn to lock in place.



Step 12: Install HANDLE SHAFT to LOWER HANDLES and PIVOT & BRACKET assembly as shown. Using 2" (M6 X 1 X 40MM) bolts and locknuts. **TIGHTEN BOLTS AND NUTS NOW.**



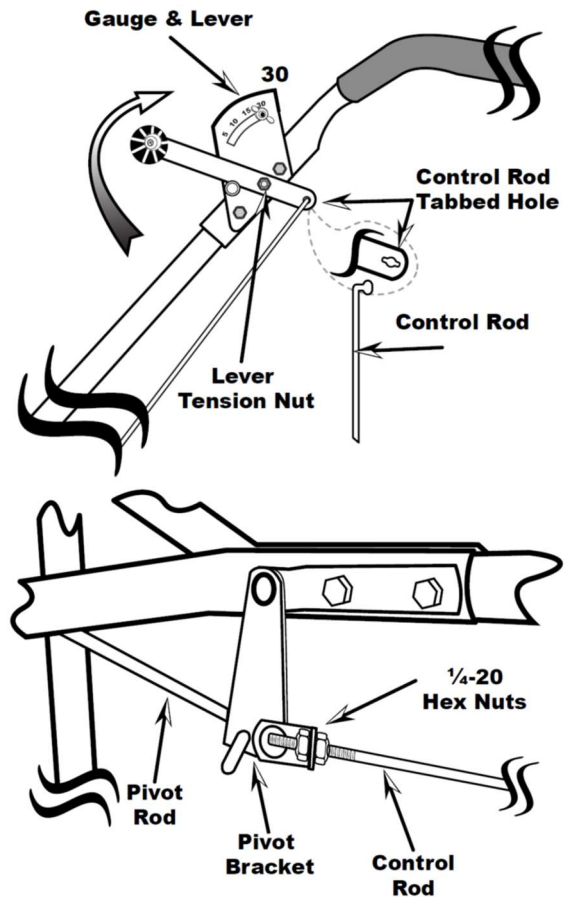
Step 13: Install (1) 1/4-20 (M6 X 1) regular nut (not a locknut) on to CONTROL ROD.

Step 14: Install flattened end of CONTROL ROD in to LEVER on GAUGE as shown. Turn to lock in place. Next push LEVER forward to setting "0". Align CONTROL ROD with hole in PIVOT BRACKET, pull LEVER backward to insert CONTROL ROD through hole in PIVOT BRACKET. Now install 1/4-20 (M6 X 1) regular nut on to CONTROL ROD.

CALIBRATION

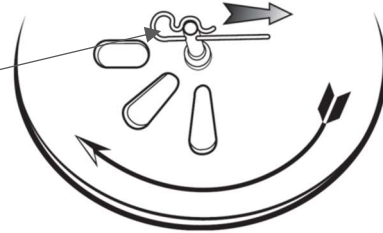
Step 15: Pull lever back to setting "30" as shown. Next push pivot & bracket forward so that the shut off plate in the hopper is in the full open position. **REMEMBER SETTING "30" ON THE FLOW CONTROL LEVER MUST PLACE THE SHUT-OFF PLATE IN THE FULL OPEN POSITION TO BE PROPERLY CALIBRATED.** Now tighten the nuts against the PIVOT BRACKET to prevent change in calibration.

NOTE: Tension on the flow control lever may be adjusted by tightening or loosening the tension nut as shown.



Step 16: Insert agitator to pinion shaft on inside of hopper.

Note: the position of flat side of the agitator. This pin should be installed as shown.



OPERATING INSTRUCTIONS

Before filling the hopper, become familiar with the operation of this spreader.

- ☑ Obtain proper setting for material to be used from the enclosed SETTING MATRIX included with this spreader, or from our web site under the MANUALS SECTION.
- ☑ Set stop bolt on rate gauge assembly to the proper rate setting.
- ☑ While pushing spreader forward, pull control lever back to stop bolt, to stop spreading, push lever forward to close flow holes before you stop moving.
- ☑ When finished, empty any remaining material from hopper, rinse spreader, apply coating of light oil to all metal parts. The gearbox is sealed and is factory lubricated.

SIDESPREAD CONTROL™

The **SideSpread-Control** is a patented innovation that is superior to side deflectors. Side deflectors block material leaving the impeller. This blocked material is now consolidated into a 2-3" wide path on the left inside wheel of your spreader. This equates to wasted fertilizer, dark green stripes, and in some cases this extra fertilizer (seven times) will damage the lawn.

SideSpread-Control maintains the correct application rate while not placing material on driveways, sidewalks, flowerbeds, or worse, the storm drains in your street. This saves you money and keeps you from damaging your lawn.

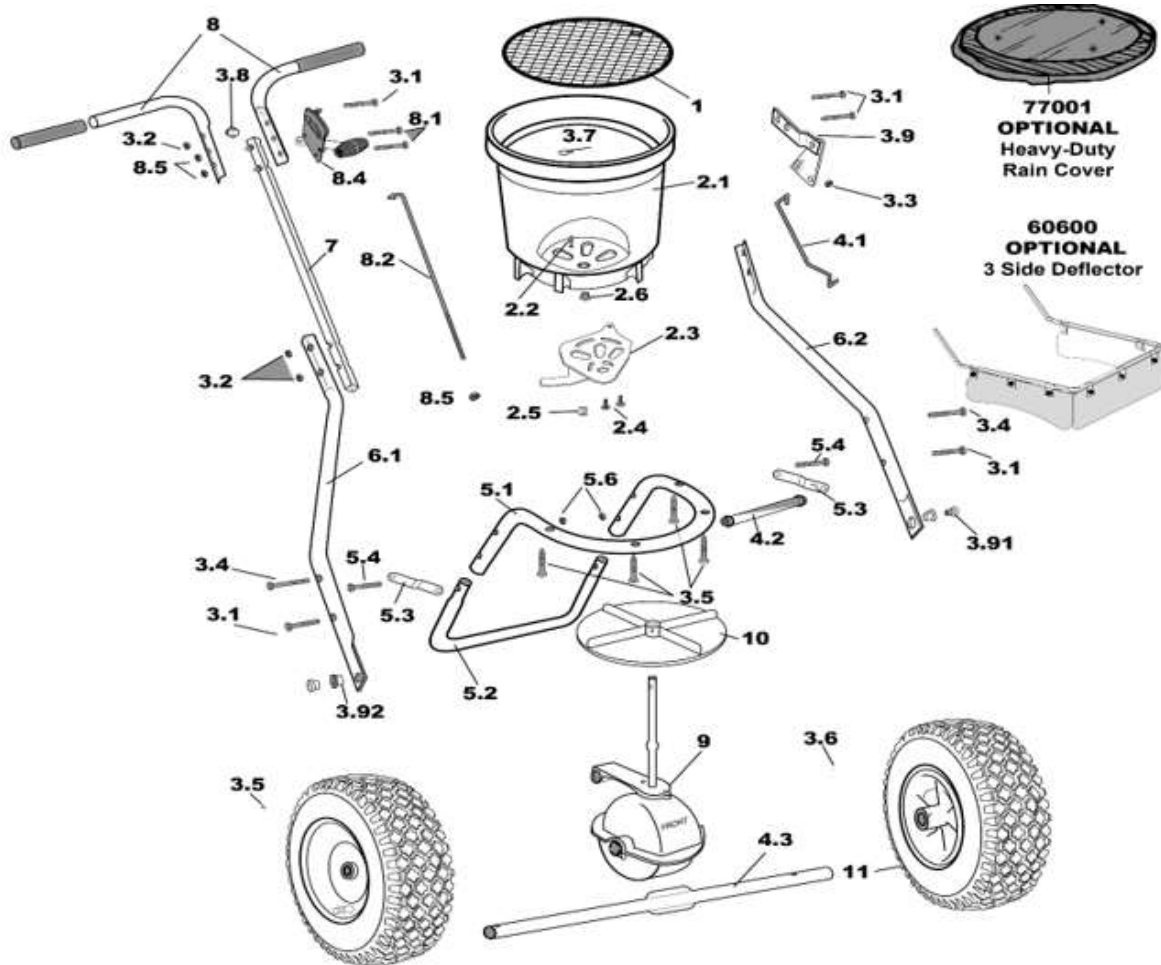
To engage **SideSpread-Control**:

- 1) Locate the lever on under the right side of the hopper.
- 2) Slide the control lever from the front to the back.
- 3) Position the left wheel of your spreader 6"–12" from the sidewalk, flowerbed, or driveway and spread as normal.
- 4) When you have completed this spreading pass, close the control lever to "0", and then open the **SideSpread-Control™** by sliding the control lever from back to the front, for a **FULL**, 180 degree spread pattern.

The settings furnished on the [Rate Setting Matrix](#) are intended as a guide only. Variations in physical characteristics of material applied, walking speed, and roughness of ground surface may require slightly different spreader settings. Due to the above conditions, the manufacturer makes no warranty as to the uniformity of coverage actually obtained from the settings listed.

HOW TO ORDER PARTS

Call or Email: TURF DEPOT 800-305-9255 or earthway@turfdepot.com



You can find replacement Nuts and Bolts at your local hardware store.

2150 Broadcast Spreader Parts List

SERIES	PART #	DESCRIPTION	SERIES	PART #	DESCRIPTION
1	40002	ROUND SCREEN	8	60602	OPERATOR HANDLE ASSEMBLY
2	60332	HOPPER ASSEMBLY KIT (2.1 – 2.6)	9	60333	GEARBOX & IMPELLER SHAFT KIT
3	38168	HARDWARE KIT (3.1 - 3.92)	10	12110	IMPELLER
4	60268	CONTROL KIT & X-BRACE KIT (4.1- 4.5)	11	70138	13" PNEUMATIC TIRE
5	60603	LOWER FRAME ASSY KIT (5.1 – 5.6)	OPTIONAL	77001	HEAVY DUTY RAIN COVER ACCESSORY
6	25222	HANDLE TO FRAME AXLE ARMS (6.1 & 6.2)	OPTIONAL	60600	THREE SIDE DEFLECTOR KIT
7	25223	HANDLE SHAFT - SQUARE			

Broadcast Setting Matrix

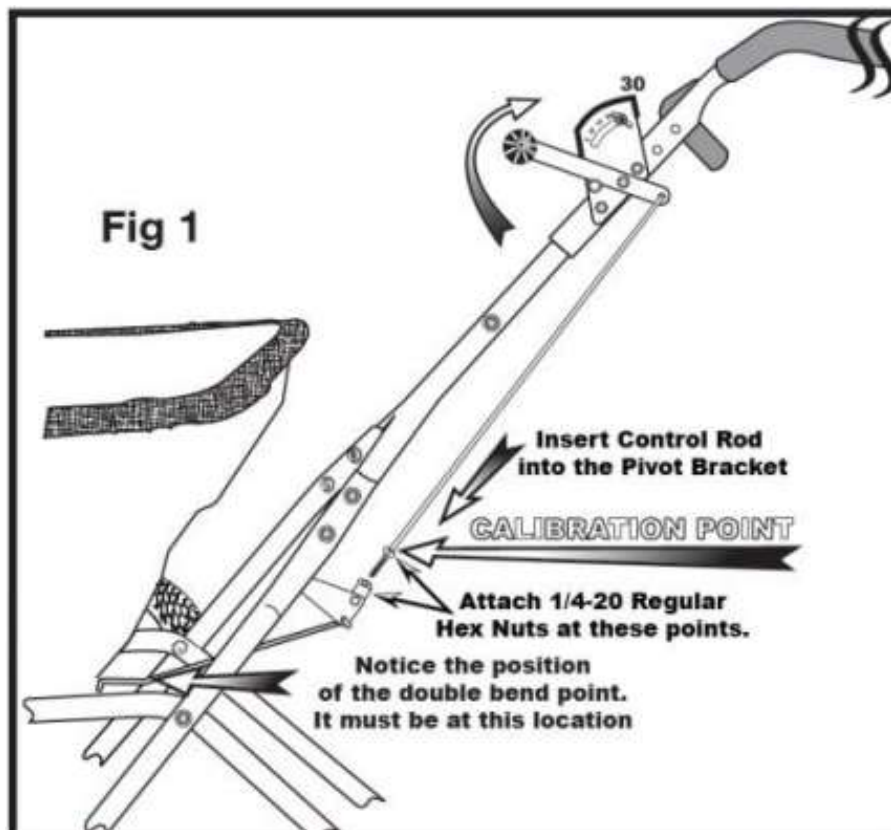
Calibration Techniques

How to ensure your spreader is properly calibrated

Make sure the drop holes in the bottom of the hopper are fully open when the Rate Control handle is on #30. If not, please adjust control cable or control rod to allow for a full open hopper position at #30.

Rod Type Adjustment

1. Open the shut-off so that the drop holes are completely open as illustrated to the right.
2. Review the Control Lever position—if it is set so that the forward edge is at #30, you are calibrated. If not, you need to adjust the control rod at the pivot bracket shown in **Fig 1**.
 - A. If your shut-off is not able to open fully as in step #1. Loosen the top nut a few turns, then loosen the lower nut so that it allows you to push the shut-off open fully. Next tighten each nut so that they contact the pivot bracket without moving it, and then carefully tighten each nut fully so they do not loosen during use. Recheck adjustment as outlined in #1 above.
 - B. If your shut-off is able to open fully as in step #1, but the Control Lever is not at #30. Loosen the top nut a few turns, then loosen the lower nut so that it allows you to push the Control Lever to #30. Next tighten each nut so that they contact the pivot bracket without moving it. Carefully tighten each nut fully so they do not loosen during use. Recheck adjust as outlined in #1 above.



CUSTOMER SERVICE

SUPPORT@EARTHWAY.COM | www.EARTHWAY.com | 1009 Maple Street, Bristol, IN 46507

ONE YEAR WARRANTY

Limited Warranty

EarthWay Products, Inc. provides this limited warranty that this product is free of defects in original workmanship and materials for a period of one year to the end user with the original purchase receipt. If a manufacturing non-conformance is found, EarthWay Products, Inc. at its discretion will repair or replace the part(s)/product at no charge provided the failure is not the result of incorrect installation, mishandling, misuse, tampering, improper storage, or normal wear and tear as determined by EarthWay. Due to the corrosive nature of most fertilizers and ice melt products, EarthWay Products, Inc. makes no warranty against and specifically excludes part(s) or product degradation or failure due to corrosion or its effects .

EarthWay at its discretion may require that the part(s) or product be returned along with the original purchase receipt for examination and compliance with the terms of this limited warranty. Do not return any product without first receiving authorization from EarthWay Products, Inc. IN NO EVENT SHALL EITHER PARTY BE LIABLE TO THE OTHER FOR SPECIAL, INDIRECT, INCIDENTAL OR CONSEQUENTIAL DAMAGES, EVEN IF SUCH PARTY SHALL HAVE BEEN ADVISED OF THE POSSIBILITY OF THE SAME. To seek remedy under this limited warranty, contact EarthWay Products, Inc. at support@earthway.com or write to EarthWay Products, Inc. 1009 Maple Street, Bristol, IN 46507 and describe the nature of the manufacturing defect. SPECIFIC LIMITATIONS: This limited warranty covers only the part(s) or product; any labor charges associated with repair or replacement of non-conformances are specifically excluded.

The above-listed warranty procedure is a condition precedent to bringing any legal action to enforce this limited warranty. Any action to enforce any portion of this limited warranty must be commenced within ninety days after the expiration of the limited warranty coverage period. Any performance of repairs will not suspend this limitation period from expiring, unless state law provides otherwise. Any performance of repairs after the limited warranty coverage period has expired, or performance of repairs regarding anything excluded from coverage under this limited warranty shall be considered "good will" repairs, and they will not change the express terms of this limited warranty or extend the limited warranty coverage period.

Exclusive jurisdiction for deciding legal disputes relating to alleged breach of warranty or representations of any nature relating to this limited warranty must be filed in the courts of Elkhart County within the State of Indiana. Any and all claims, controversies, and causes of action arising out of or relating to this limited warranty, whether sounding in contract, tort or statute, will be governed by the laws of the State of Indiana, without giving effect to any choice or conflict of law provision or rule.

NO OTHER WARRANTY, EXPRESS, IMPLIED OR STATUTORY, SHALL APPLY, INCLUDING, BUT NOT LIMITED TO, ANY IMPLIED WARRANTY OF MERCHANTABILITY, APPLICATION OR FITNESS FOR A PARTICULAR PURPOSE, OR ANY OTHER WARRANTY OBLIGATION ON THE PART EARTHWAY, AND ALL SUCH WARRANTIES ARE EXPRESSLY DISCLAIMED. In the event that applicable law prevents the disclaimer of any implied warranties, then such implied warranty shall be limited to the fullest extent permitted by law. Without limiting the foregoing, if applicable prevents the disclaimer of any such implied warranties, this limited warranty limits the period of time in which a claim for breach of implied warranties, including but not limited to the implied warranty of merchantability or fitness for a particular purpose, may be filed. In such event, any claim for breach of implied warranty must be brought before the expiration of this express limited warranty's one year term.