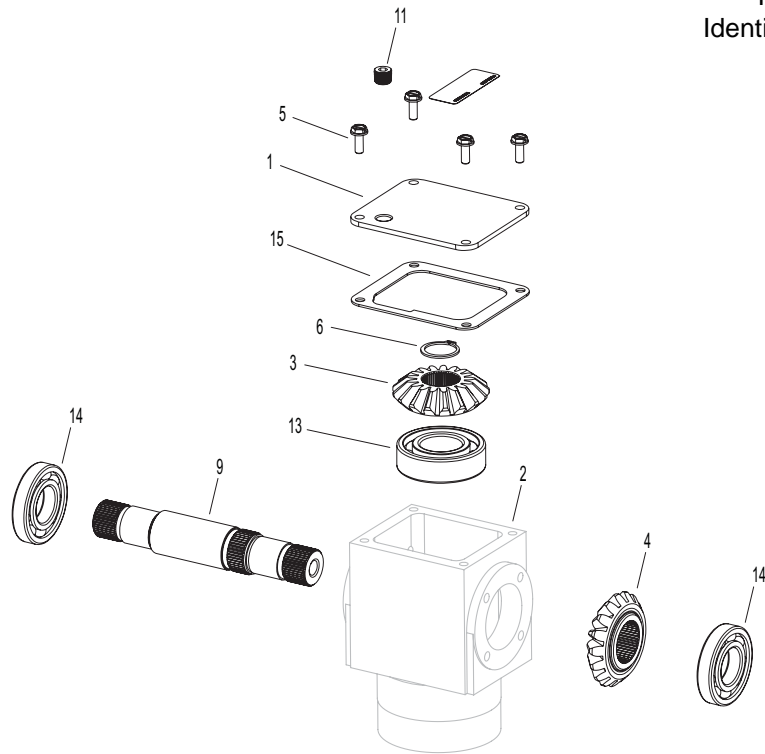
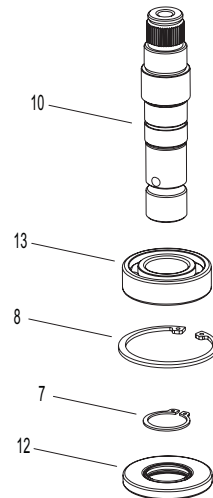


WALKER MANUFACTURING COMPANY
ALUMINUM PEERLESS GEARBOX 1000-099 (WALKER P/N 5051-16)
For 36", 42", and 54" Decks After S/N 99-46813



Return to
Identification Page

ITEM NO.	WALKER PART NO.	PEERLESS PART NO.	DESCRIPTION	NO. REQ'D
1	P018	772067	Cover, LH	1
2	N/A	770117	"T" Drive Housing	1
3	P003	778101	Miter Gear (17 teeth-steel)	1
4	P031	778210A	Gear, Miter	1
5	P008	792025	Screw, RD/HD Self-Tap	4
6	P032	788018	Snap Ring, Gear Retainer	1
7	P051	788079	Snap Ring, Shaft Retainer	1
8	P052	788080	Snap Ring Bearing, Retainer	1
9	P017	776072A	Input/Output Shaft	1
10	P056	6509-P1	Input Shaft	1
11	P041	28534	Plug, Cover	1
12	P042	788099	Seal	1
13	P044	780174	Ball Bearing	2
14	P024	780034	Ball Bearing	2
15	P004	788028	Gasket Cover	1



Return to
Identification Page

This Gearbox is used in the following applications:
For The Following Decks After S/N 99-46813
 DGHS 36 Tee Gearbox
 DSD36 Tee Gearbox
 DML36 Tee Gearbox
 DGHS42 Tee Gearbox
 DSD42 Tee Gearbox
 DML42 Tee Gearbox
 DSD54 Tee Gearbox