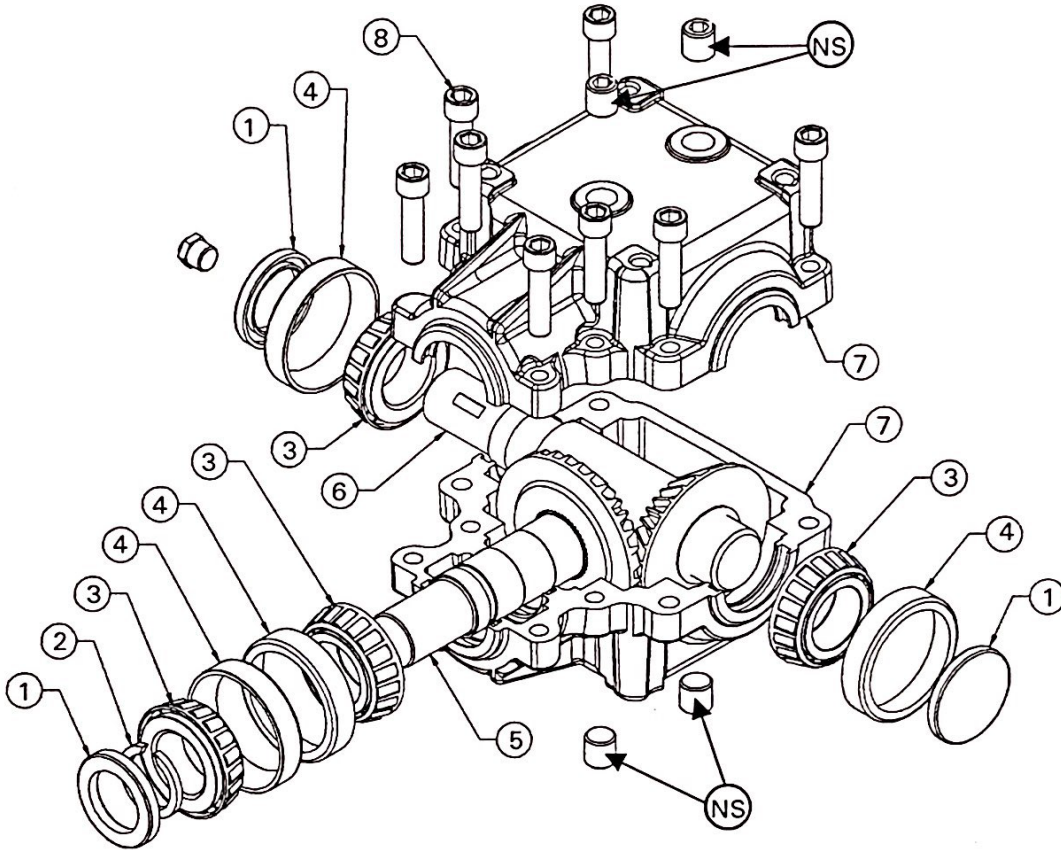


**WALKER MANUFACTURING COMPANY
SUPERIOR GEARBOX PARTS BREAKDOWN
WALKER P/N 8051-10**



PARTS LIST

<u>Item No.</u>	<u>Walker P/N</u>	<u>Description</u>	<u>Qty. Req'd</u>
1	SG006	Seal Kit	3
2	SG021	Retaining Ring (1.0ID)	1
3	SG022	Bearing Cone (1.0ID)	4
4	SG023	Bearing Cup (2.0OD)	4
5	SG032	Input Shaft/Gear Assembly	1
6	SG033	Output Shaft/Gear Assembly	1
7	SG042	Gearbox Case (Sold as a Pair)	1
8	SG013	Bolt Self-Tapping (5/16-18x1.25 SHC)*	8

* Torque Bolts to 17-21 ft-lbs.

NS - This is a non-stocking item and is not offered by Walker

This Gearbox is Used as Follows:
DSD52 Deck Drive Gearbox
DSD62 Deck Drive Gearbox

06/01/01