

# EarthWay®

## NEW 1600 SIDE-DRESS FERTILIZER ATTACHMENT ~ OPTIONAL ACCESSORY

CAN BE USED WITH ROW MARKER IN PLACE.

### Assembly

Slide Flow Adjustment Lever into the black handle connector on the 1600.

### Attaching

Slide the 1600 behind the handle and in front of the rear wheel, between the frame and lock the Attaching Arms over the rear wheel mounting bolt & nut.

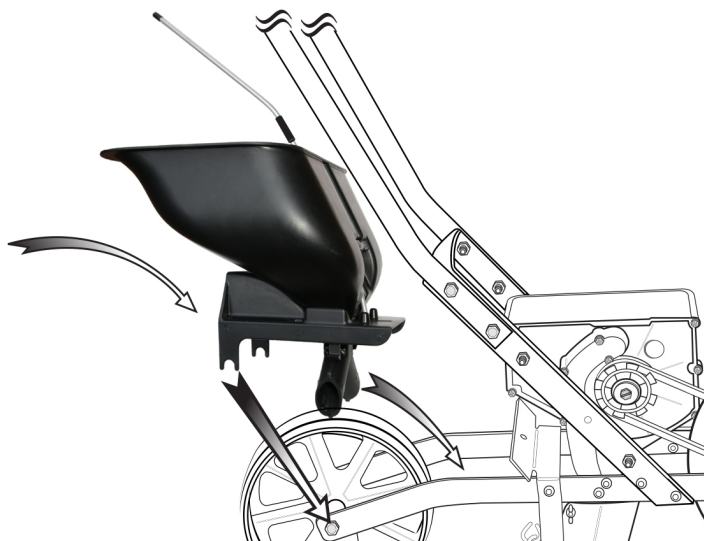
### Operating Instructions

Calibrated slide plate allows precise flow rates of all granulated fertilizers. Fertilizer can be applied on both sides of the planting furrow. Four position positive action On/Off handle helps eliminate waste. Made from durable weather resistant materials for years of dependable use.

Flow  
Adjusting  
Lever



Attaching  
Arms



Earthway Products, Inc.  
P.O. Box 547  
Bristol, IN 46507  
Phone: 800-294-0671/574-848-7491  
www.earthway.com

### 1600 Parts List

Part #	Description	Qty	Part #	Description	Qty
31133	#8 X 3/4 PHPS TYPE A (BLACK)	2	60046	HOPPER ASSEMBLY 1600	1
31138	#8 X 3/8" PMT #8 HD COARSE BLACK	2	36233	1/4-20 X 1/2" PHPS S.S.	4
31146	#6 X 1/2" TYPE "A" PHPS BLACK	2	36308	1/4-20 LOCK NUT W/EXT LW SS	4
41215	CONTROL ROD (1600)	1	60033	HOPPER SUPPORT (1600)	1
41216	CONTROL ROD EXTENSION (1600)	1	70142	NUT PROTECTOR .234 ID. X .375 IL.	1
12123	CONTROL ROD CONNECTOR (1600)	1			

Part #52167