

Instruction Sheet

Kit Numbers: 788033, 788034, 788035, 788047, 788053, 792034

32", 34", 36", 44", 48", 52" MULCHING KIT



WARNING: FAILURE TO FOLLOW INSTRUCTIONS could result in personal injury and/or damage to unit.

Read, understand, and follow all safety practices in Owner/Operator Manual before beginning.

ACCIDENTAL ENGINE START UP can cause death or serious injury. ALWAYS stop engine, remove key, wait for moving parts to stop, and remove wire from spark plug before adjusting or servicing.

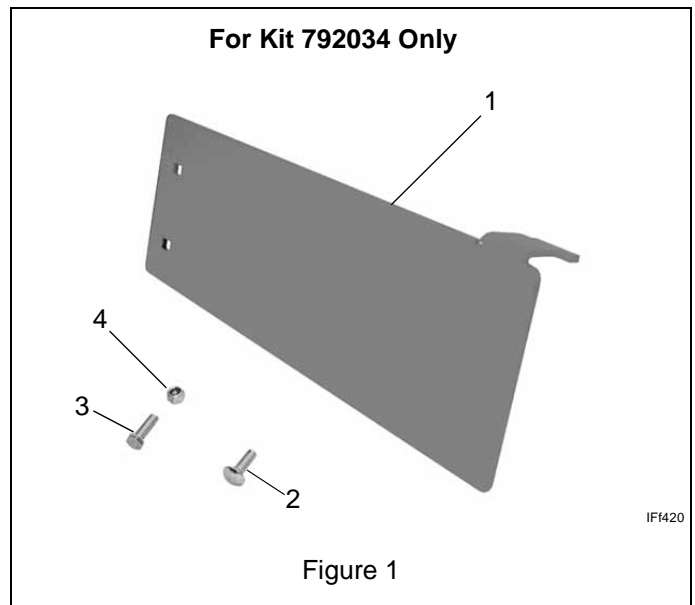
SHARP EDGES CAN CUT BODY PARTS. ALWAYS wrap blades, wear protective gloves, and use extreme caution when handling blades.

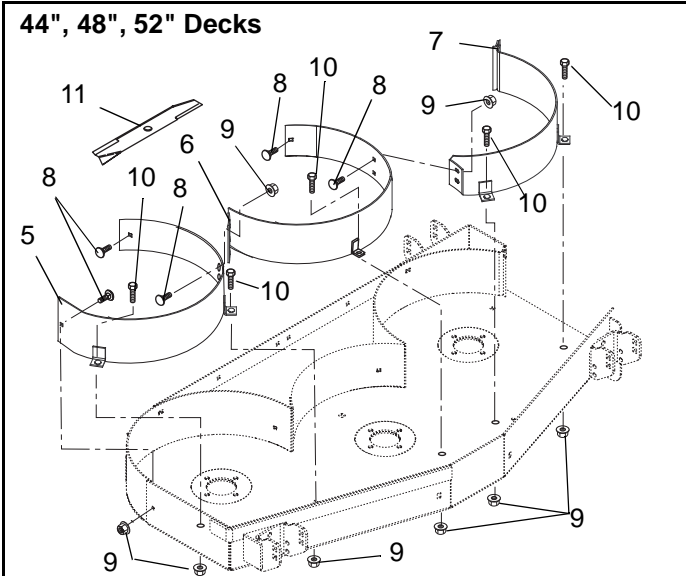
PACKAGE CONTENTS

Check the contents of your kit for parts listed below (Figure 1 and Figure 2):

Item	Kit No.	Part No.	Qty.	Description
1	792034	00272753	1	Discharge Cover
2	792034	06200231	2	5/16" x 1" Round Head Square Neck Bolt
3	792034	05901701	2	5/16" x 1" Hex Bolt
4	792034	06500726	2	3/8" Nylon Flange Nut
5	788047	04930551	1	32" Left Mulch Baffle
	788033	04917651	1	36" Left Mulch Baffle
	788053	04939551	1	44" Left Mulch Baffle
	788034	04919951	1	48" Left Mulch Baffle
	788035	04922051	1	52" Left Mulch Baffle
	792034	00171651	1	34" Left Mulch Baffle
6	788053	04939651	1	44" Center Mulch Baffle
	788034	04920051	1	48" Center Mulch Baffle
	788035	04922151	1	52" Center Mulch Baffle
7	788047	04930651	1	32" Right Mulch Baffle
	788033	04917751	1	36" Right Mulch Baffle
	788053	04939751	1	44" Right Mulch Baffle
	788034	04920151	1	48" Right Mulch Baffle
	788035	04922251	1	52" Right Mulch Baffle
	792034	00171551	1	34" Right Mulch Baffle
8		06200232	8	Round Head Square Neck Bolt, 5/16-18 x 3/4"

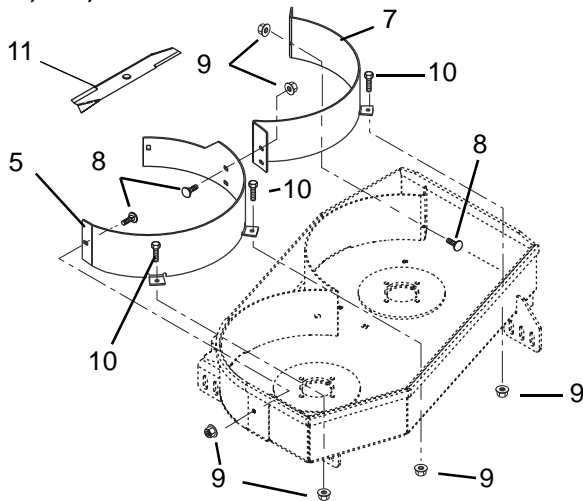
Item	Kit No.	Part No.	Qty.	Description
9		06500904	13	Top-Locking Flange Nut, 5/16-18
10		05901704	5	Hex Bolt, 5/16-18 x 3/4"
11	788047	00273000	2	Blade, Mulch (16.25")
	788033	00273100	2	Blade, Mulch (18.0")
	788053	00273000	3	Blade, Mulch (16.25")
	788034	00273000	3	Blade, Mulch (16.25")
	788035	00273100	3	Blade, Mulch (18.0")
	792034	08866800	2	Mulch Blade (17.0")





IF10244

32", 34", 36" Decks



IF11911

Figure 2

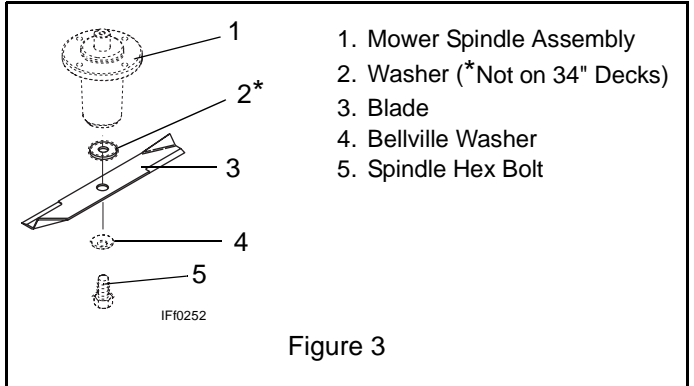


Figure 3

WARNING: THROWN OBJECTS could result in death or serious injury. ALWAYS operate with full mulching kit or full front baffle and deflector installed.

4. Remove the existing baffle plates and small deflector from the underside of the mower deck. Save all hardware, small deflector and baffle plates (Figure 4).

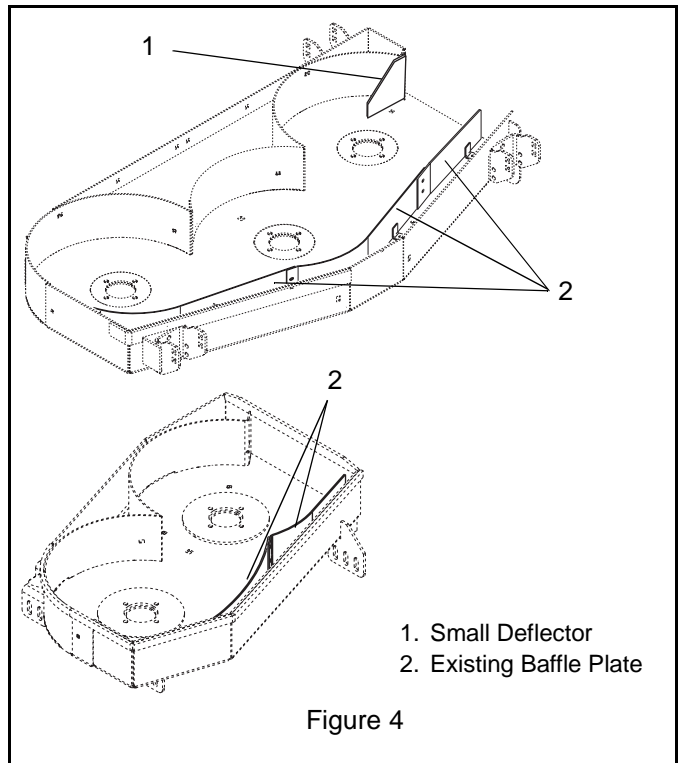


Figure 4

INSTALLATION

WARNING: ALWAYS block wheels and know all jack stands are strong and secure and will hold weight of unit during maintenance.

CAUTION: On multiblade mowers, rotation of one blade will cause all blades to rotate.

1. Set mower to lowest cutting height.
2. Jack up the mower deck to expose the blades.
3. Remove hardware and blades from bottom of mower spindles. Save hardware for installing replacement blades (Figure 3).

Refer to Figure 5 for steps 5 - 8.

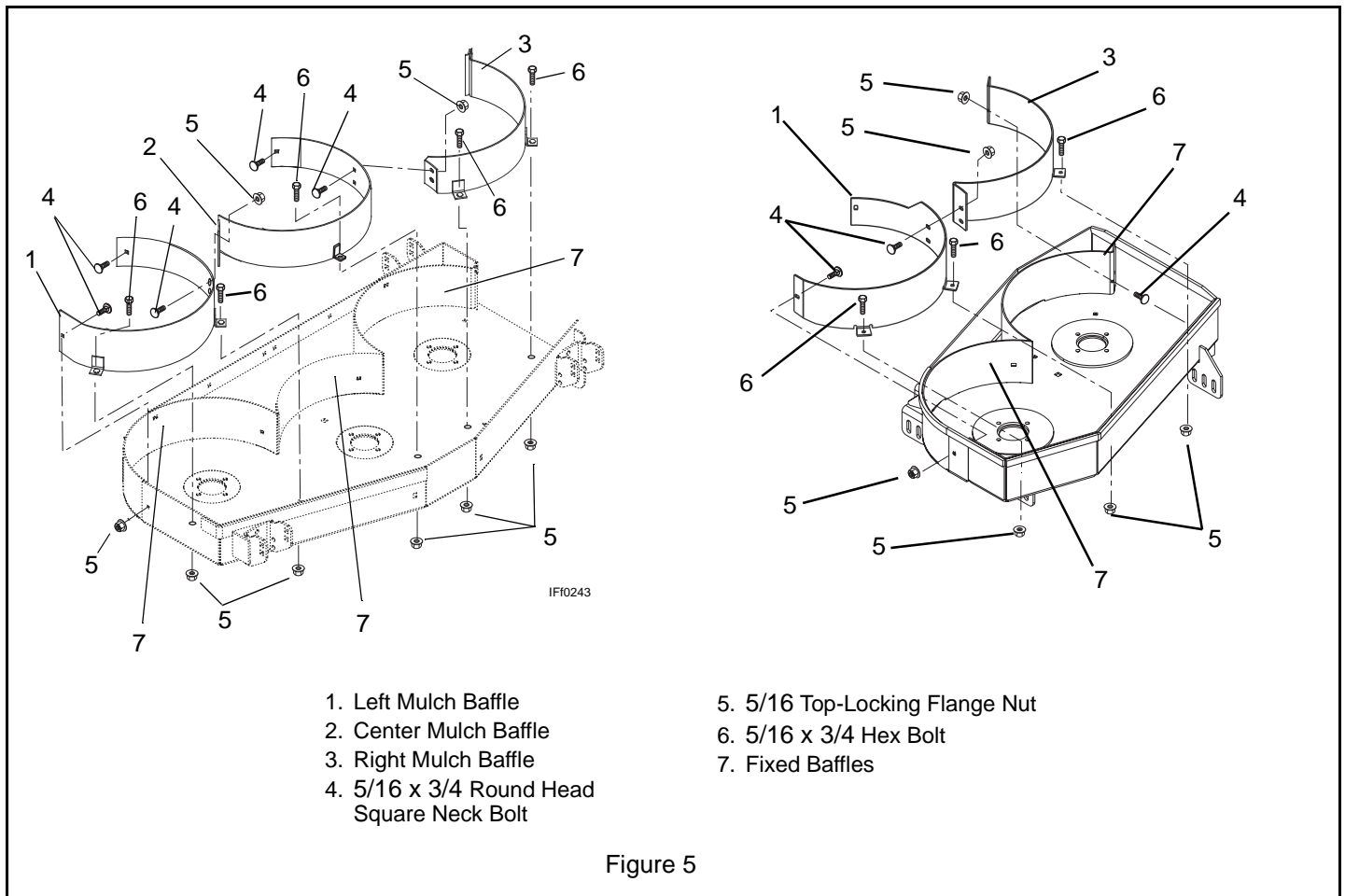
NOTE: Check alignment of the mounting tabs on the new baffles with the holes in the mower deck before installing the mounting hardware. You may need to drill out the pilot holes in the deck to 11/32" before installing the new baffles.

5. Start with the left mulch baffle (farthest from discharge chute) and work to the right.

Align tabs on left, center (44", 48" and 52" decks only) and right mulch baffles with existing deck holes and bolt baffles to deck with 5/16 x 3/4 hex bolts and 5/16 top-locking flange nuts. Finger tighten.

6. Bolt together the left, center (44", 48" and 52" decks only), and right mulch baffles with 5/16 x 3/4 round head square neck bolts and 5/16 top-locking flange nuts.

7. Bolt the left mulch baffle to the side of the deck with 5/16 x 3/4 round head square neck bolt and 5/16 top-locking flange nut.
8. Bolt mulch baffles to the deck's fixed baffles with 5/16 x 3/4 round head square neck bolts and 5/16 top-locking flange nuts.
9. Tighten all hardware and check that baffles fit flush together.
10. Install the mulching blades on spindle with hardware removed in step 3. Torque the spindle hex bolts to 115-125 lbf-ft (156-169 N•m).



Install Discharge Cover for Kit 792034 (Figure 6)

NOTE: A 11/32" Drill Bit is needed to complete this installation.

1. Stop engine, remove key, wait for all moving parts to stop and engine to cool.
2. Raise discharge chute and secure it in place.
3. Slide front tab on discharge cover into the hole at the front of the discharge chute mounting bracket.
4. Lower the discharge cover into place so it covers the discharge opening and is flush with the side of the deck.
5. Hold discharge cover in place and mark where to drill 11/32" holes in side of deck.
6. Remove discharge cover.
7. Drill 11/32" holes through side of deck.
8. Replace discharge cover and secure with 5/16 x 1.0 hex bolts and 5/16 nylon lock nuts.

